

User manual

# High Speed door **SR Prime / Strong**

Manual del usuario

# Puerta de Alta Velocidad **SR Prime / Strong**

Manual del usuario

# Porta de alta velocidade **SR Prime / Strong**

EN

ES

PT



*Intelligent Door Solutions*

User manual

Speedroller door **SR Prime / Strong**

English



*Intelligent Door Solutions*

# Contents

1. Order-specific details.....	1
2. Introduction - Read this first! .....	2
3. Improper use.....	2
4. Warranty terms .....	2
5. Door parts .....	3
6. Product description.....	4
7. Technical specifications .....	5
8. Operation (use of the door).....	6
9. Safety devices.....	8
10. Setting the timer .....	8
11. Maintenance .....	8
12. Faults.....	9
13. Delivery checklist.....	10
14. Notes .....	12
Copyright .....	44

## Dear Customer,

Thank you for choosing a Novoferm product. We hope that you are satisfied and that it exceeds your expectations.

- **Should the door fail to operate correctly (stiff to move or other faults), you should immediately contact a specialist to arrange for the door to be fixed.**
- This user manual must be kept within easy reach during the entire period of use!

### 1 Order-specific details

This user manual applies to the following NovoSpeed Speedroller door:

Type:

Order number:

Delivery date:

Service centre:

The type plate is on one of the columns and/or on the control box. The type plate indicates the door order number. Please specify this when you contact your dealer.



## Note!

Depending on the ordered accessories, the delivery may contain additional manuals, for example for the control of the door. Please read these instructions carefully and thoroughly. Please read the comments carefully and make sure you keep to the safety instructions and warning guidelines provided in these manuals.

++ WARNING +++ WARNING +++ WARNING ++

# English user manual

EN

## 2 Introduction - Read this first!

Read this user manual thoroughly before using your Speedroller door. Correct use of the door will increase your safety and result in a long useful service life and lower service costs.

This user manual describes the use of a door that has been installed and configured by an authorised dealer or a suitably qualified engineer.

An electrically powered door can only be commissioned after it has been issued with a Certificate of Conformity (CE marking affixed).

As from 1 July 2013 a declaration of performance in accordance with EU Regulation No. 305/2011 Annex III (the construction products regulation) must be handed to users as a separate document.

This manual is intended for the day-to-day user of the door and must be kept in the immediate vicinity of the door.



## Warning

**When commissioning the door, the qualified expert must check for potential hazards and satisfy himself that the door is functioning properly and can be operated by hand. [EN 12604 and EN 12453].**

+++ WARNING +++ WARNING +++ WARNING +++

- Instruct all users on how to operate the Speedroller door.
- Do not allow third parties (e.g. visitors) to operate the door.

The manufacturer accepts no responsibility for damage and/or injury as a result of failing to follow the instructions in this manual.

The product may only be modified or expanded by the supplier.

### Intended use

This Speedroller should be integrated into the access range for persons, to ensure a safe passage of goods and vehicles whether or not accompanied by people in both industrial, business and residential environments. The scope of this door is determined by **EN 13241**.



## Important!

- The area of application of this Speedroller door is set out in EN 13241.
- The installation, repair, maintenance and dismantling of the door must be carried out by a qualified expert, in accordance with EN 12635

+ IMPORTANT +++ IMPORTANT +++ IMPORTANT +

### Operation of the Speedroller door

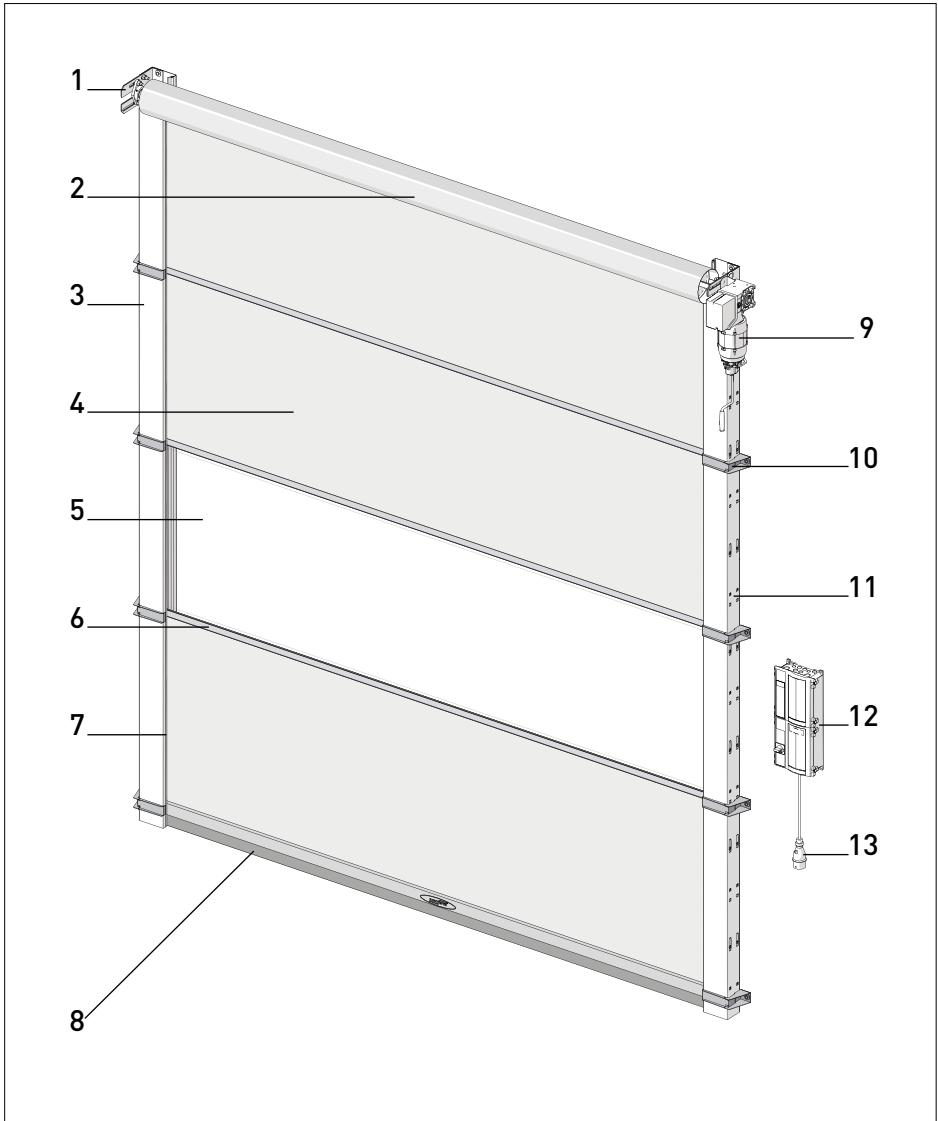
The door is opened by rolling the door panel upwards (see chapter 8). An electric drive drives the shaft. Both sides of the door panel have columns that guide the door panel.

## 3 Improper use

- Never place objects against the door panel or against the top roller.
- Never attach any components to the door panel which could increase its weight.
- Never use the door as a hoist.
- Never open and close the door using any other switches than those fitted for that purpose.

## 4 Warranty conditions

Novoferm conditions, filed at the Chamber of Commerce under no. 06067599. Version 2.0 dated March 1, 2017.



## 5 Door parts

- |   |                              |    |  |
|---|------------------------------|----|--|
| 1 | Console                      | 8  | Bottom beam (FlexEdge/HardEdge)*         |
| 2 | Top roller                   | 9  | Drive                                    |
| 3 | Column                       | 10 | Bracket*                                 |
| 4 | 0,7 mm thick door panel      | 11 | Light curtain                            |
| 5 | Transparent window sections* | 12 | Control                                  |
| 6 | Stiffener*                   | 13 | 230/400V connection*                     |
| 7 | Sealing brush/rubber*        |    | * Depending on the chosen configuration. |

# English user manual

EN

## 6 Product description

The Novoferm SpeedRoller is a door with electrical drive. It is applied in industrial and commercial buildings. It has energy saving, draught excluding and climate control functions.

### 6.1 Specification, construction

The Novoferm SpeedRoller consists of a door panel that is rolled up by an electrically driven roller above the opening. The door panel is made of horizontal plastic sections. The closing edge of the door panel consists of an FlexEdge or HardEdge beam. The steel columns guide the door panel and form a unit with the steel consoles on which the roller and the cover are mounted. Door panel balance is applied as standard.

### 6.2 Materials

The column consists of two set Sendzimir galvanised steel channels fitted with brush draught seals that can be removed for installation and maintenance. The horizontal roller is made of steel. The bottom beam is made of aluminium. 0,7 mm thick door panel made of plastic with nylon insert. The door panel is equipped with aluminium reinforcement profiles.

### 6.3 Colour

The door curtain is available in the colours blue, orange, yellow, black, grey, red or white and is provided as standard with a window section.

### 6.4 Drive

The drive consists of an industrial insertion motor that is installed in the roller. This ensures that the required side space is the least necessary. The drive is located to the right of the roller as standard.

### 6.5 Operation/control

- The door is supplied with push-buttons (open-stop-close) at the front of the switch box.

**Other operation types which can be connected to the standard control are:**

- Push button, pull switch or radiographic operation with 1-button hand-held

transmitter. These all operate as follows: first time operation, the door opens; second time operation, the door closes.

- Radiographic operation using 3-button hand-held transmitter with the function up-stop-down.

### 6.6 Safety devices

- In the event of power failure the door can be opened manually.
- The bottom beam is fitted with a self-testing safety edge which stops the door or immediately causes it to re-open if an obstacle is encountered when closing. This safety device is moisture-proof.
- Safety light curtain (IP67 and up to 2,500 mm (height)). If this screen is interrupted by an obstacle, the door will automatically open fully until the screen is released again. This does not apply when the door is in the closed position.

### 6.7 Mounting structure requirements and connection

- Under normal conditions, no special (construction) structures are required to assemble and mount a Speedroller door.
- An electric connection requires a wall socket within a 500 mm radius of the switch box to be installed (CEE-form 3-NPE/ 400V/50 Hz /16 A). As standard it is installed at approximately 1500 mm height from the floor under the driver.
- The switch box with frequency controller requires a wall socket within a radius of 500 mm of the switch box (CEE-form blue, 1 x 230 V with fuses, slow 16 A and equipped with a residual current device (RCD) of at least 300 mA). As standard it is installed at approximately 1500 mm height from the floor on the drive side.

## 6.8 Extras

### Control and operation

- Operation using push buttons, pull switches, light curtain, radar, induction loop or radiographic operation. Other types of actuators on request.
- 'Halfway up' stop (to allow people entry)
- Interlock switching in combination with another door.
- Electrical supply specifications other than 3N~400 V/50 Hz/16 A

### Safety devices

- Connection of traffic lights (red/green or red and green)
- Electric section in IP65

### Implementation

- Stiffener profiles into the door plate
- Reinforcement brackets around the guides
- Plastic cover over top roller
- Plastic cover over drive
- Plastic cover over top roller and drive
- Full colour of the door panel (on request)

## 7 Technical data

### 7.1 Dimensions

• Max. width	<b>PRIME</b> 3500 mm	<b>STRONG</b> 5000 mm
• Max. height	<b>PRIME</b> 3500 mm	<b>STRONG</b> 5000 mm
• Max. surface	<b>PRIME</b> 12,25 m <sup>2</sup>	<b>STRONG</b> 25 m <sup>2</sup>
• Space required, non-drive side (roller height)	<b>PRIME</b> 175 mm	<b>STRONG</b> 175 / 200 mm
• Space required, drive side	<b>PRIME</b> 285 mm	<b>STRONG</b> 300 mm
• Space required, drive side for built in equipment	<b>PRIME</b> min. 395 mm	<b>STRONG</b> min. 410 mm
• Space required, columns	<b>PRIME</b> 145 mm	<b>STRONG</b> 145 mm
• Headroom	<b>PRIME</b> 350 mm	<b>STRONG</b> 350 mm

### 7.2 Drive

• Standard mains voltage:	3NPE~400V/50Hz/16A
• Mains voltage at frequency controller:	LNPE~230V/50Hz/16AT
• Protection class	IP65
• Power consumption	<b>PRIME</b> max. 1,5 kW <b>STRONG</b> max. 2 kW

### 7.3 Performance

• Control without frequency controller, for which:	
Max. openingsnelheid	1,0 m/s
Max. sluitsnelheid	1,0 m/s
• Control using frequency controller, for which:	
Max. opening speed	1,5 m/s
Max closing speed	0,5 m/s

## 8 Operating and using the door



### Warning

A faulty door can cause injuries or damage objects. Use the door only when it does not indicate faults or errors.

Persons can be injured or objects damaged by the door movement.

- Make sure that when the door moves, there are no persons or objects within the range of the door.
- Do not grab the column or the top roller when the door is in motion.
- Never place objects against the door panel or against the top roller.
- Do not attach any components to the door panel which could make the door panel heavier or thicker
- Never use the door to lift persons or objects.

+++ WARNING +++ WARNING +++ WARNING +++

The control system enables a number of different operating modes:



### 8.1 Dead-man switch OPEN [↑] / Dead-man switch CLOSE [↓]

Keep the [↑] button pressed to open the door until the OPEN end position is reached, or stop the movement of the door by releasing the button. To close the door, keep the [↓] button pressed (dead-man switch) until the end position is reached. The door stops closing immediately if the [↓] button is released when the door is closing.

### 8.2 Impulse OPEN/Dead-man button CLOSE

Briefly press the [↑] button or use the external impulse emitter to open the door until the OPEN end position is reached or press the [○] button to stop the opening of the door. Press the [↑] button to open the door further. Keep the [↓] button pressed (dead man button function) to close the door until the door end position is reached. Releasing the [↓] button when closing the door will immediately stop the closing of the door.

### 8.3 Impulse OPEN / Impulse CLOSE

Briefly press the [↑] button or use the external impulse emitter to open the door until the OPEN position is reached or until button is pressed again to stop the opening of the door. Briefly press the [↓] button to close the door until the CLOSE end position is reached.

A closing side protection (menu 35) must be reached to activate this operating mode.

When the closing edge protection is activated during the closing movement, the door will stop closing and reverse the direction of the movement. Activating this protection during the opening of the door does not affect the door movement. In the event of a failure, the door can be closed using the [↓] button.

### 8.4 AR operation

Briefly press the [↑] button (or use the external impulse emitter) to open the door until the OPEN position is reached or until the [○] button is pressed to stop the opening of the door. Once the set open time expires, a warning period is timed during 10 seconds after which the door closes automatically.

If the [○] button is pressed when the door is in the OPEN position or when CLOSING, the door remains in the current position until another impulse is emitted.

If menu 36 is set to "5" or "6", the door stops during the movement of the door. The door open timer is again started.



## 8.5 "OPEN/CLOSE" mode

In the same operation mode as the 1 track regulations using red/green traffic light (optional traffic light operation (A800)), but the receiver remains connected to the driver.

Progress of the operation for external impulse generators:

- Impulse emitted in "CLOSED" position: Drive starts and brings door to the "OPEN" position.
- Impulse emitter during the movement to the "OPEN" position: Without influence, the door continues to open.
- Impulse emitted in "OPEN" position: Door is closed.
- Impulse emitted during the movement to the "CLOSED" position: Door stops and starts to open.

## 8.6 AR operation shortened by light curtain

This function operates as described above, but the interruption of the light curtain circuit breaks the set opening time and the warning period starts. At the end of the warning period the door closes automatically.

## 8.7 Door half open

Press the **[½]** button to control the door to the ½ open position (menu 32). This function is not available in the dead-man button OPEN/dead-man button CLOSE operation mode.

## 8.8 Lighting and/or warning light

The control has 2 relay outputs that switches the lighting or the warning light (menus 45 and 46).

## 8.9 Key switch function (option)

The control has an input for a key switch. This gives you the option to activate the following functions (menu 50):

1. Impulse emitter "OPEN - STOP - CLOSE"
2. The operation of the control is blocked
3. All external operation elements are blocked
4. The operation of the control and all the external operation elements are blocked
5. During a period of 10 seconds, the operation of the control and all external operation elements are enabled
6. Switching the operating mode to Impulse OPEN/Dead-man button CLOSE
7. Only ½ open door

## 8.10 External command units/impulse emitters

The door can be opened and closed via external command units/impulse emitters.

## 8.11 Wireless hand-held transmitter (option)

- Key: 'Start' Emit first impulse: The drive starts and moves the door to the set OPEN or CLOSE end position.
- Emit impulse during the movement: The door stops.
- Emit another impulse: The door continues to move in the opposite direction.

### AR operation:

Impulse: Door open.

Key for door half open:

Function as for the Start key, the door is, however, only half opened to the preset position.

Key: Lighting function

The lighting function is related to a continuous light that can be switched "on" and "off" independently of the movement of the door.

## 8.12 Service message

When the control detects that a check is performed, the service message is lighted. Contact your specialist company in that case.

# English user manual

EN

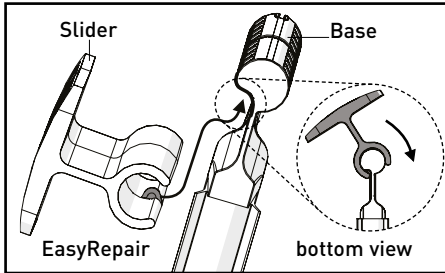
## 9 Safeguards

The door is according to regulation equipped with a drive with built-in anti-roll-off device and safety light curtain.

### 9.1 EasyRepair Tormatic control

Step-by-step instructions for restoring the EasyRepair: **Error code: E06**

- Hold down the [↓] button for **5 seconds**. (door is now in dead-man control).
- Move the door panel to a workable height using the [↑] [↓] buttons.
- Repair the EasyRepair system by sliding the slider from below over the base.



- Briefly press the [↑] button to open the door until the OPEN end position is reached.

### 9.2 Safety light curtain

The safety light curtain has a height of 2500 mm. When the infrared beam is interrupted by an object in the door opening when closing the door, the door stops moving and subsequently opens fully. After the set time has elapsed and if the safety light curtain is free, the door will close again. In the closed position or when opening, the safety light curtain has no effect.

### 9.3 Closing edge protection

The closing edge protection is included in the rubber profile of the bottom beam. If the door comes into contact with an object in the opening when closing, the door stops moving and subsequently opens fully. After the set opening time has elapsed the door will automatically close. If the closing edge protection is activated three subsequent times the door remains open and the [↓] button has to be pressed to put the door into operation again.

## 10 Adjustments

### 10.1 Setting the timer

The timer is set using parameter 44 as described in the Control manual.

### 10.2 Settings Safety light curtain

If the beam of the light curtain is not interrupted a red LED is lighted. If the LED does not light when the beam is not interrupted (no object in the opening), the light curtain is probably not properly aligned in relation to the sensors. In this case the light curtain must be re-directed to the sensors. If the sensors of the light curtain is contaminated, or if the light curtain is directed towards the edge of the sensors, the red LED flashes on the light curtain to indicate it should be adjusted.

All other adjustments should be performed by qualified technicians!

## 11 Maintenance

### General

All rotation points are self-lubricating, these do not require maintenance. Under extreme conditions (aggressive environment) we recommend lubricating all rotation points every six months (or when required).



## Important!

**Annual maintenance that is not carried out by a qualified service centre using original parts, will void the warranty. (Please ask your dealer).**

+ IMPORTANT +++ IMPORTANT +++ IMPORTANT +

### 11.1 Daily

Remove all dirt and obstacles that could prevent the operation of the door.

### 11.2 Weekly

Check the drive for leaks.

Check the door for damage.

Check that the door is operating properly.

## 11.3 Monthly

Check the operation of the engine brake. It should click audibly when opening and closing the door.

## 11.4 Annually

The operation and structural condition of the door must be checked once per year by a qualified technician. A maintenance contract can be concluded for the service work. Under extreme conditions, in consultation with Novoferm, the checks can be performed more often.

## 11.5 Wear to parts

In order to keep the door permanently in good condition, the following parts subject to wear should be replaced once a year or every 100,000 door movements, whichever occurs first:

For the SpeedRoller **Prime/Strong**:

- The drive brake
- The sealing brushes

In addition, the rubber bands that provide the required tension to the door panel should be replaced every two years, or after 100,000 door movements, whichever occurs first.

system. If that is not the case, please provide the error code to your service centre.

- **The door no longer closes**

1. Check the connection and adjustment of the safety photocell (see items 10 and 11 of section 5).
2. Has an external control been activated? (For instance, there may be a metal object on an induction loop!)

## 12.2 Faults you CANNOT fix yourself

Have the following information at hand before you contact your service centre:

- The serial number (s/n) as indicated on the nameplate. The information is located on one of the columns or on the control cabinet.
- The control cabinet has a display that shows error codes. Please provide this error code to your service centre.

**Tip:** This error code you can also find in the manual of the control cabinet. The error code can be used to restore simple faults without assistance.



## Important!

The brake and the brushes should be replaced annually or after 500,000 door movements and the elastic bands should be replaced every two years or after 100,000 door movements, whichever occurs first. See 11.6

+ IMPORTANT +++ IMPORTANT +++ IMPORTANT +

## 12 Faults

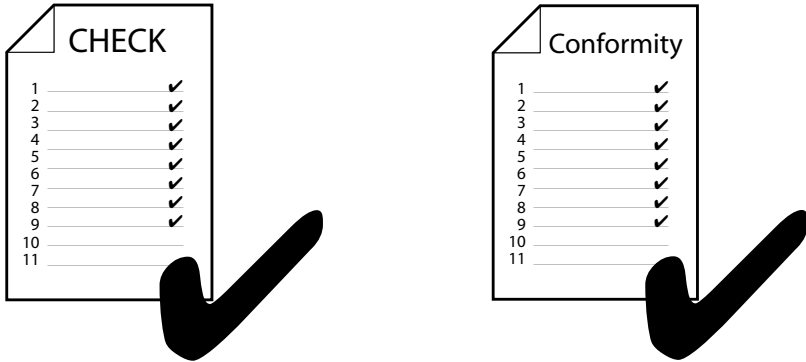
### 12.1 Faults you can restore yourself

- **The door is completely unresponsive.**
1. Check the voltage, i.e. whether it is connected to the mains power.
  2. Refer to the error code on the display of the control. Look up the error code in the manual of the control to find out what it signified and whether you can restore the

# Delivery check

EN

13



- Check all safety devices of the door and if necessary readjust them.
- Check all door functions against the checklist and sign off the completed list.
- The **EU Declaration of Conformity** must be completed by the technician.

## Checklist

Location of the door:

Commissioned on:

**1** Door plate

- approved
1. Condition of door panel
  2. Attachment to door roller
  3. Attachment to bottom beam
  4. Welds in door panel
  5. Securing balls \*
  6. Reinforcement profiles \*

**2** Bottom beam

- approved
7. Guides
  8. Bottom seal \*
  9. Break-Away \*

**3** Column

- approved
10. Securing the column on the wall
  11. Securing consoles to the wall
  12. Dents / scratches
  13. Fixed side seal

**4** Drive

- approved
14. Attachment
  15. Leaks
  16. Engine brake (audible click)
  17. Setting end positions

**5** Tensioning and balancing system \*

- approved
18. Tension belt / elastic
  19. Fastening tension belt / elastic
  20. Return pulleys
  21. Roll-up disks
  22. Tension spring \*
  23. Buckle loops \*
  24. Buckle tightened \*

10

**6 Control**

- 25. Push buttons on the box
- 26. Stop switch
- 27. General cabling

approved

- 
- 
- 

**7 Operation**

- 28. Push buttons \*
- 29. Pull switch\*
- 30. Photocell + reflector \*
- 31. Radar \*
- 32. Induction loop \*
- 33. Receiver \*
- 34. Hand-held transmitter \*
- 35. Key switch \*

approved

- 
- 
- 
- 
- 
- 
- 
- 

**8 Security**

- 36. Safety photocell \*
- 37. Safety edge protection \*
- 38. Light screen \*
- 39. Infrared \*

approved

- 
- 
- 
- 

**9 Hood \***

- 40. Attachment
- 41. Seal tightness

approved

- 
- 

**10 Miscellaneous**

- 42. Maintenance sticker
- 43. Type plate

approved

- 
- 

\* if applicable

## Declaration from engineer and/or installation firm

We declare that we have complied with the manufacturer's instructions in accordance with **EN 13241 Industrial, commercial and garage doors and gates IIA.**

Company stamp

Installation company:

Place of delivery:

Street and property number:

Date:

Postcode / Place:

Name of engineer:

Phone / fax:

Signature of engineer:





Manual del usuario

Puerta enrollable rápida **SR Prime / Strong**

**Español**



*Intelligent Door Solutions*



# Índice

1. Datos específicos del pedido .....	15
2. Introducción - ¡Lea esto primero!....	16
3. Uso inadecuado.....	16
4. Términos de la garantía .....	16
5. Piezas de la puerta .....	17
6. Descripción del producto .....	18
7. Especificaciones técnicas .....	19
8. Funcionamiento (uso de la puerta)..	20
9. Dispositivos de seguridad .....	22
10. Ajuste del temporizador.....	22
11. Mantenimiento .....	22
12. Averías.....	23
13. Lista de comprobación de entrega ..	24
14. Notas .....	26
Copyright .....	44



## ¡Observación!

En función de los accesorios que se pidan, la entrega puede contener manuales adicionales, como por ejemplo para el control de la puerta. Por favor, lea atenta e íntegramente estas instrucciones. Por favor, lea atentamente los comentarios y asegúrese de observar las instrucciones de seguridad y directrices de advertencia proporcionadas en estos manuales.

+++ ADVERTENCIA +++ ADVERTENCIA +++

Este manual de usuario se debe entregar al cliente y se debe guardar en un lugar de fácil acceso durante todo el periodo de utilización.

## Estimado cliente:

Gracias por elegir un producto Novoferm. Esperamos que esté satisfecho con él y que supere sus expectativas.

- En caso de que la puerta no funcione correctamente (se mueva a tropicónes u otros problemas), deberá ponerse en contacto inmediatamente con un técnico para que le arreglen la puerta.
- Este manual de usuario se deberá guardar a mano durante todo el periodo de uso.

ES

## 1 Datos específicos del pedido

Este manual de usuario se refiere a la siguiente puerta enrollable NovoSpeed:

### Clase:

.....

### Número de orden:

.....

### Fecha de entrega:

.....

### Centro de asistencia:

.....

La placa de identificación se encuentra en una de las columnas y/o en la caja de control. La placa de características indica el número de orden de la puerta. Por favor, especifique éste cuando se ponga en contacto con su distribuidor.

## 2 Introducción - ¡Lea esto primero!

Lea este manual de usuario íntegramente antes de utilizar la puerta enrollable rápida. El uso correcto de la puerta aumentará su seguridad y proporcionará una vida útil más larga y unos costes de asistencia más bajos.

Este manual describe el uso de una puerta que se ha instalado y configurado por un distribuidor autorizado o un técnico cualificado.

Una puerta con accionamiento eléctrico solo se puede poner en marcha después de que se haya emitido con un Certificado de Conformidad (marca CE adherida).

A partir del 1 de julio de 2013 se deberá entregar al usuario como documento separado una declaración de rendimiento conforme al Reglamento de la UE nº 305/2011 Anexo III (reglamento de productos de construcción).

Este manual está diseñado para el usuario cotidiano de la puerta y se debe mantener en las inmediaciones de la puerta.



## Advertencia

**Al poner en servicio la puerta, el experto cualificado debe comprobar si existen posibles peligros y cerciorarse de que la puerta funciona correctamente y que se puede accionar manualmente. [EN 12604 y EN 12453].**

**+++ ADVERTENCIA +++ ADVERTENCIA +++**

- Instruya a los usuarios sobre cómo accionar la puerta enrollable rápida.
- No permita a terceros (por ejemplo visitantes) que accionen la puerta.

El fabricante no acepta responsabilidad alguna por los daños y/o lesiones ocurridas porque no se hayan observado las instrucciones de este manual.

El proveedor será el único que puede modificar o ampliar el producto.



## ¡Importante!

- El área de aplicación de la presente puerta enrollable rápida se establece en la norma EN 13241
- La instalación, reparación, mantenimiento y desmontaje de la puerta la debe llevar a cabo un experto cualificado, de acuerdo con la norma EN 12635

**+++ IMPORTANTE +++ IMPORTANTE +++**

### Uso previsto

Esta puerta enrollable rápida se deberá integrar dentro del ámbito de acceso de personas, para garantizar un paso seguro de bienes y vehículos, estén acompañados o no por personas, tanto en entornos comerciales e industriales como en residenciales. El ámbito de esta puerta está determinado por la norma EN 13241.

### Funcionamiento de la puerta enrollable rápida

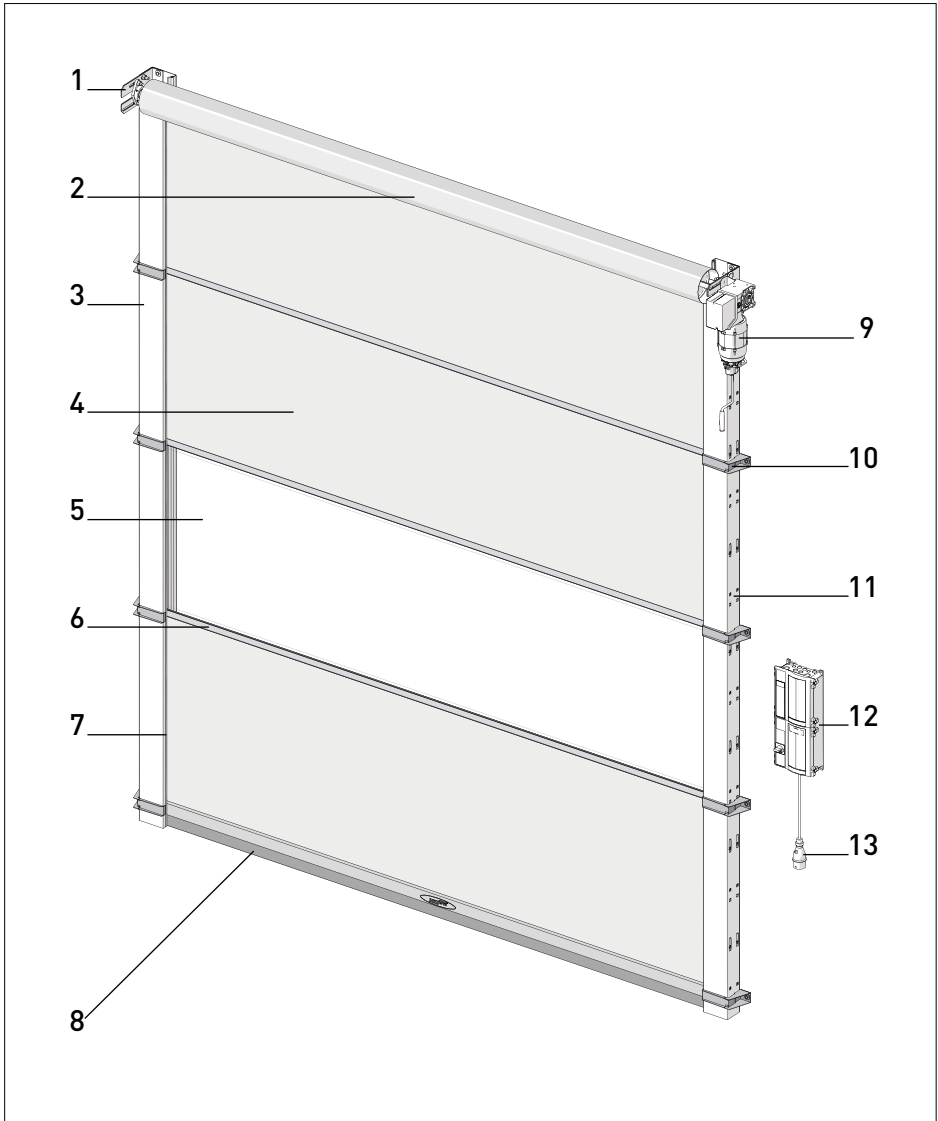
La puerta se abre moviendo el panel de la puerta hacia arriba (véase capítulo 8). Un accionamiento eléctrico acciona el eje. Ambos lados del panel de la puerta tienen columnas que guían el panel de la puerta.

### 3 Uso inadecuado

- No coloque objetos contra el panel de la puerta o contra el rodillo superior.
- No acople nunca ningún componente al panel de la puerta que pueda aumentar su peso.
- No utilice nunca la puerta como un aparato elevador.
- No abra y cierre nunca la puerta con otros interruptores que no sean los previstos para ello.

### 4 Condiciones de la garantía

Condiciones Novoferm, presentado en la Cámara de Comercio con el núm. 06067599. Versión 2.0 del 1 de Marzo 2017.



## 5 Piezas de la puerta

- |   |  |    |  |
|---|--|----|--|
| 1 | Console                                | 8  | Viga inferior (FlexEdge/HardEdge)*         |
| 2 | Rodillo superior                       | 9  | Accionamiento                              |
| 3 | Columna                                | 10 | Soporte de refuerzo*                       |
| 4 | Panel de la puerta de 0,7 mm de grosor | 11 | Cortinas de luz de seguridad               |
| 5 | Secciones de ventana transparentes*    | 12 | Control                                    |
| 6 | Perfil de aluminio*                    | 13 | 230/400V Conexión*                         |
| 7 | Escobilla/goma de sellado*             |    | * Dependiendo de la configuración elegida. |

## 6 Descripción del producto

La Novoferm SpeedRoller es una puerta enrollable rápida con accionamiento eléctrico. Se utiliza en edificios industriales y comerciales. Tiene funciones de ahorro de energía, eliminación de corrientes de aire y control climático.

### 6.1 Especificación, construcción

La Novoferm SpeedRoller consta de un panel de puerta que se enrolla mediante un rodillo accionado eléctricamente por encima de la abertura. El panel de la puerta está hecho de secciones de plástico horizontales. El borde de cierre del panel de la puerta consiste en un haz FlexEdge o HardEdge. Las columnas de acero guían el panel de la puerta y forman una unidad con las consolas de acero en las que está montado el rodillo y la cubierta. Se usa de serie un balance del panel de la puerta.

### 6.2 Materiales

La columna está formada por dos canales de acero galvanizado Sendzimir equipados con juntas de escobilla para corriente de aire que se pueden extraer para la instalación y el mantenimiento. El rodillo horizontal está hecho de acero. La viga inferior está hecha de aluminio. Panel de la puerta de 0,7 mm de grosor hecho de plástico con inserción de nailon. El panel de la puerta está equipado con perfiles de refuerzo de aluminio.

### 6.3 Color

El panel de la puerta se encuentra disponible en los colores azul (predeterminado), naranja, amarillo, negro, gris, rojo o blanco y está equipado de serie con una sección de ventana.

### 6.4 Accionamiento

El accionamiento consta de un motor de inserción industrial que se instala en el rodillo. Esto garantiza que el espacio lateral requerido sea el mínimo necesario. El accionamiento se encuentra de serie a la derecha del rodillo.

### 6.5 Operación/control

- La puerta se suministra con pulsadores (abrir-parar-cerrar) en la parte delantera de la caja de control.

Otros tipos de operaciones que se pueden conectar al control estándar son:

- Pulsador, interruptor tirador u operación radiográfica con un transmisor manual de un botón. Todos ellos funcionan de la siguiente manera: la primera vez, se abre la puerta; la segunda vez, la puerta se cierra.
- Operación radiográfica usando un transmisor manual de 3 botones con la función arriba-parada-abajo.

### 6.6 Cortina de luz de seguridad

- En caso de corte de electricidad, la puerta se podrá abrir manualmente.
- La viga inferior está equipada con un borde de seguridad autoanalizador que detiene la puerta o hace que se vuelva a abrir inmediatamente si se encuentra un obstáculo cuando se cierra. Este dispositivo de seguridad está hecho a prueba de humedad.
- La unidad está equipada de serie con un dispositivo antideslizamiento.

### 6.7 Requisitos de la estructura de montaje y conexión

- En condiciones normales, no se requieren estructuras especiales (de construcción) para armar y montar una puerta enrollable rápida.
- Una conexión eléctrica requiere instalar una toma de corriente dentro de un radio de 500 mm del armario de distribución (forma CEE 3~NPE/400 V/50 Hz/16 A). Normalmente se instala a unos 1500 mm de altura desde el suelo debajo del accionamiento.
- El armario de distribución con controlador de frecuencia requiere una toma de corriente dentro de un radio de 500 mm del armario de distribución (forma CEE azul, 1 x 230 V con fusibles, lento 16 A y equipado con un dispositivo de corriente residual (RCD) de al menos 300 mA). Normalmente se instala a unos 1500 mm de altura desde el suelo en el lado de accionamiento.

## 6.8 Extras

### Control y operación

- Operación mediante pulsadores, interruptores tiradores, cortina de luz, radar, bucle de inducción u operación radiológica. Otros tipos de accionadores a petición.
- Parada "a mitad de altura" (para permitir la entrada de las personas)
- Bloqueo de conmutación en combinación con otra puerta.
- Especificaciones de suministro eléctrico que no sean 3N~400 V/50 Hz/16 A

## 7 Datos técnicos

### 7.1 Dimensiones

- Anchura máx.
- Altura máx.
- Superficie máx.
- Espacio requerido en el lado donde están las columnas
- Espacio requerido en el lateral del lado opuesto al accionamiento (en la parte superior)
- Espacio requerido en el lateral del accionamiento (en la parte superior) [\*con la capilla]
- Espacio requerido en el lateral del accionamiento (superior) al montar del accionamiento desde el lado
- Espacio libre superior

### Dispositivos de seguridad

- Conexión de semáforo (rojo/verde o rojo y verde)
- Piezas finales de desacoplamiento de aluminio en la viga inferior (resistente a impactos).
- Sección eléctrica en IP65

### Aplicación

- Cubierta de plástico sobre rodillo superior
- Cubierta de plástico accionamiento
- Cubierta de plástico sobre rodillo superior y accionamiento
- Rodillo superior y cubierta pintada en una serie de colores RAL

**PRIME** 3500 mm **STRONG** 5000 mm

**PRIME** 3500 mm **STRONG** 5000 mm

**PRIME** 12,25 m<sup>2</sup> **STRONG** 25 m<sup>2</sup>

**PRIME** 175 mm **STRONG** 175 / 200 mm

**PRIME** 285 mm **STRONG** 300 mm

**PRIME** min.395mm **STRONG** min. 410 mm

**PRIME** 145 mm **STRONG** 145 mm

**PRIME** 350 mm **STRONG** 350 mm

### 7.2 Accionamiento

- Tensión de red estándar: 3NPE~400 V/50 Hz/16 A
- Tensión de red estándar de frecuencia: LNPE~230 V/50 Hz/16 AT
- Clase de protección IP 65
- Consumo de potencia **PRIME** max.1,5kW **STRONG** max. 2 kW

### 7.3 Rendimiento

- Sin control de convertidor de frecuencia:
  - Velocidad de apertura máx. 1,0 m/s
  - Velocidad de cierre máx. aprox. 1,0 m/s
- Control de convertidor de frecuencia:
  - Velocidad de apertura máx 1,5 m/s
  - Velocidad de cierre máx. aprox. 0,5 m/s

## 8 Funcionamiento y uso de la puerta



### Advertencia

Una puerta defectuosa puede causar lesiones a personas o daños a objetos. Utilice la puerta solo cuando no se indican fallos o errores.

El movimiento de la puerta puede provocar lesiones a personas o daños a objetos.

- Asegúrese de que cuando la puerta se mueva no haya personas ni objetos dentro del ámbito de alcance de la puerta.
- No agarre la columna o el rodillo superior cuando la puerta esté en movimiento.
- No coloque objetos contra el panel de la puerta o contra el rodillo superior.
- No acople ningún componente al panel de la puerta que haga que éste sea más pesado o más grueso
- No use nunca la puerta para levantar personas u objetos.

+++ ADVERTENCIA +++ ADVERTENCIA +++

El sistema de control permite una serie de diferentes modos de funcionamiento:

### 8.1 Interruptor de hombre muerto ABRIR [↑] / Interruptor de hombre muerto CERRAR [↓]



Mantenga pulsado el botón [↑] para abrir la puerta hasta que se haya alcanzado la posición final ABRIR o detenga el movimiento de la puerta soltando el botón.

Para cerrar la puerta, mantenga pulsado el botón [↓] (interruptor de hombre muerto) hasta que se haya alcanzado la posición final. La puerta dejará de cerrarse de inmediato si se libera el botón [↓] cuando la puerta se está cerrando.

### 8.2 Impulso ABRIR/botón hombre muerto CERRAR

Pulse brevemente el botón [↑] o use el emisor de impulsos externos para abrir la puerta hasta que se haya alcanzado la posición final o pulse el botón [○] para detener la apertura de la puerta.

Pulse el botón [↑] para abrir la puerta más. Mantenga pulsado el botón [↓] (botón de función de hombre muerto) para cerrar la puerta hasta que ésta haya alcanzado la posición final. Al soltar el botón [↓] cuando se está cerrando la puerta, se detendrá de inmediato el cierre de la puerta.

### 8.3 Impulso ABRIR / Impulso CERRAR

Pulse brevemente el botón [↑] o use el emisor de impulsos externos para abrir la puerta hasta que se haya alcanzado la posición ABIERTA o hasta que se vuelva a pulsar el botón para detener la apertura de la puerta. Pulse brevemente el botón [↓] para cerrar la puerta hasta que se haya alcanzado la posición final CERRAR.

Se debe alcanzar una protección lateral de cierre (menú 35) para activar este modo de funcionamiento.

Cuando esté activada la protección de borde de cierre durante el movimiento de cierre, la puerta dejará de cerrarse y se invertirá el sentido del movimiento. Activar esta protección durante la apertura de la puerta no afecta al movimiento de la puerta. En el caso de un fallo, la puerta se cerrará mediante el botón [↓].

### 8.4 Funcionamiento AR

Pulse brevemente el botón [↑] (o utilice el emisor de impulsos externos) para abrir la puerta hasta que se haya alcanzado la posición ABIERTA o hasta que se haya pulsado el botón [○] para detener la apertura de la puerta. Una vez que se alcance el tiempo de apertura ajustado, se calculará un periodo de alerta de 10 segundos tras el cual la puerta se cerrará automáticamente.

Si se pulsa el botón [○] cuando se pulsa la puerta está en posición ABIERTA o cuando se está CERRANDO, la puerta seguirá en la posición actual hasta que se emita otro impulso.

Si el menú 36 se ajusta a "5" o "6", la puerta se detendrá durante el movimiento de la puerta. El temporizador de apertura de puerta se volverá a poner en marcha.

## 8.5 Modo "ABRIR/CERRAR"

En el mismo modo de funcionamiento que las normativas de 1 vía con semáforo rojo/verde (funcionamiento opcional de semáforo (A800)), pero el receptor seguirá conectado al accionamiento.

Progreso de la operación para generadores de impulsos externos:

- Impulso emitido en posición "CERRADA": El accionamiento se pone en marcha y lleva la puerta a la posición de "ABIERTO".
- Emisor de impulsos durante el movimiento a la posición de "ABIERTO": Sin influencia, la puerta seguirá abriéndose.
- Impulso emitido en la posición "ABIERTA": Se cierra la puerta.
- Impulso emitido durante el movimiento a la posición "CERRADO": La puerta se detiene y comienza a abrirse.

## 8.6 Funcionamiento AR acertado por cortina de luz

Esta función funciona como se ha descrito anteriormente, pero la interrupción del circuito de cortina de luz interrumpe el tiempo de apertura ajustado y se inicia el periodo de alerta. Al final del periodo de alerta la puerta se cierra automáticamente.

## 8.7 Puerta semiabierta

Pulse el botón **[½]** botón para controlar la puerta a la posición ½ abierta (menú 32). Esta función no está disponible en el modo de funcionamiento botón de hombre muerto ABIERTO/botón de hombre muerto CERRADO.

## 8.8 Iluminación y/o luz de advertencia

El control tiene 2 salidas de relé que cambian la iluminación o la luz de advertencia (menús 45 y 46).

## 8.9 Función de interruptor de llave (opcional)

El control tiene una entrada para un interruptor de llave. Esto le da la opción de activar las siguientes funciones (menú 50):

1. Emisor de impulsos "ABRIR-PARAR-CERRAR"
2. El funcionamiento del control está bloqueado
3. Todos los elementos de funcionamiento externo están bloqueados
4. El funcionamiento del control y todos los

elementos de funcionamiento externo están bloqueados

5. Durante un periodo de 10 segundos, se habilitará el funcionamiento del control y todos los elementos funcionamiento externo
6. Cómo cambiar el modo de funcionamiento de Impulso ABIERTO/botón de hombre muerto CERRAR
7. Solo puerta ½ abierta

## 8.10 Unidades de mando externas/emisores de impulsos

La puerta se puede abrir y cerrar mediante las unidades de mando externas/Emisores de impulsos.

## 8.11 Transmisor manual inalámbrico (opcional)

- Llave: Puesta en marcha Emite primer impulso: El accionamiento se pone en marcha y mueve la puerta a la posición final ABIERTA O CERRADA ajustada.
- Emite impulso durante el movimiento: La puerta se detiene.
- Emite otro impulso: La puerta sigue moviéndose en la dirección opuesta.

## Funcionamiento AR:

Impulso: Puerta abierta.

Llave para la puerta semiabierta:

Funciona como para la llave de puesta en marcha, pero la puerta solo se medio abre a la posición predeterminada.

Llave: Función de iluminación

La función de iluminación está relacionada con una luz continua que puede se puede encender o apagar independientemente del movimiento de la puerta.

## 8.12 Mensaje de servicio

Cuando el control detecta que se realiza una comprobación, el mensaje de servicio se encenderá. En ese caso, póngase en contacto con su compañía especializada.

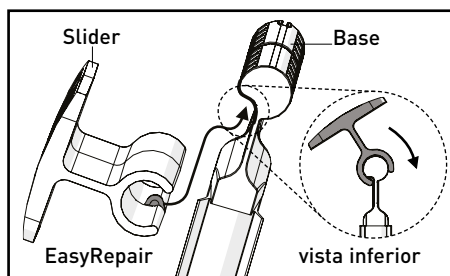
## 9 Dispositivos de seguridad

La puerta está equipada con un accionamiento con dispositivo antideslizamiento integrado y la cortina de luz de seguridad.

### 9.1 EasyRepair Tormatic control

Instrucciones paso a paso para reparar el EasyRepair: **Código de error: E06**

- Mantenga presionado el botón [↓] durante **5 segundos**. (la puerta ahora está en control de hombre muerto).
- Mueva el panel de la puerta a una altura en la que pueda trabajar usando los botones [↑][↓]
- Reparar EasyRepair deslizando las piezas juntas.



- Presione brevemente el botón [↑]. para abrir la puerta hasta que se alcanza la posición final ABIERTA

### 9.2 Cortina de luz de seguridad

La cortina de luz de seguridad tiene una altura de 2500mm. Cuando el haz infrarrojo es interrumpido por un objeto en la abertura de la puerta cuando se está cerrando ésta, la puerta se detendrá y posteriormente se abrirá completamente. Una vez haya transcurrido el tiempo programado y la dispositivos de seguridad esté libre, la puerta se volverá a cerrar. En la posición cerrada o cuando se abre, la dispositivos de seguridad no tiene efecto.

### 9.3 Protección de borde de cierre (Versión de acero inoxidable)

La protección de borde de cierre se incluye en el perfil de goma de la viga inferior. Si la puerta entra en contacto con un objeto en la abertura cuando se está cerrando, se detendrá y luego se abrirá completamente. Después de que haya transcurrido el tiempo de apertura ajustado, la puerta se cerrará automáticamente. Si la

protección de borde de cierre se activa tres veces consecutivas, la puerta se mantendrá abierta y habrá que pulsar el botón [↓] para volver a poner en marcha la puerta.

## 10 Ajustes

### 10.1 Ajuste del temporizador

El temporizador se establece mediante el parámetro 44, como se describe en el manual del control.

### 10.2 Configuración de Cortina de luz de seguridad

Si el haz cortina de luz de seguridad no se interrumpe, se encenderá un LED rojo (en la parte superior de la cortina de luz. Si el LED no se enciende cuando el haz no está interrumpido (no hay ningún objeto en la abertura), probablemente la cortina de luz no esté bien alineada en relación con el sensor. En este caso, se deberá redirigir la cortina de luz a la parábola. Si el sensor de la cortina de luz está contaminado, o si la cortina de luz se dirige hacia el borde del sensor, el LED rojo parpadeará en la cortina de luz para indicar que se debe ajustar. ¡Todos los demás ajustes los deberán realizar técnicos cualificados!

## 11 Mantenimiento

### General

Todos los puntos de rotación son autolubrificantes y no requieren mantenimiento. En condiciones extremas (medio agresivo) recomendamos lubricar todos los puntos de rotación cada seis meses (o cuando sea necesario).



¡Importante!

El mantenimiento anual que no se lleve a cabo por un centro de asistencia cualificado que use piezas originales invalidará la garantía. (Por favor, pregunte a su distribuidor.)

+++ IMPORTANTE +++ IMPORTANTE +++

### 11.1 Diariamente

Quite toda la suciedad y los obstáculos que puedan impedir el funcionamiento de la puerta.



## 11.2 Semanalmente

Compruebe si hay fugas en el accionamiento.  
Compruebe si hay daños en la puerta.  
Compruebe que la puerta está funcionando correctamente.

## 11.3 Mensualmente

Prüfen Sie den Betrieb der Motorbremse. Sie muss beim Öffnen und Schließen des Tors hörbar klicken.

## 11.4 Anualmente

El funcionamiento y las condiciones estructurales de la puerta se deberán revisar una vez al año por un técnico cualificado. Se podrá concluir un contrato de mantenimiento para los trabajos de mantenimiento. En condiciones extremas, los controles se pueden realizar con más frecuencia, de común acuerdo con Novoferm.

## 11.5 Limpieza del panel de la puerta

El panel de la puerta está hecho de PVC. No utilice sustancias corrosivas; utilice solo agua, jabón neutro o un limpiador especial para paneles de puertas.

## 11.6 Piezas de desgaste

Con el fin de mantener la puerta permanentemente en buenas condiciones, se deberán reemplazar las siguientes piezas sujetas a desgaste una vez al año o cada 100.000 movimientos de puerta, lo que ocurra primero:

Para la NovoSpeed Prime/Strong:

- El freno del accionamiento
- Las escobillas de sellado

Además, las cintas de goma que proporcionan la tensión deseada al panel de la puerta se deberán cambiar cada dos años, o después de 100.000 movimientos de puerta, lo que ocurra primero.



## ¡Importante!

El freno y las escobillas se deberán reemplazar anualmente o después de 500.000 movimientos de puerta y las cintas elásticas se deberán cambiar cada dos años o después de 100.000 movimientos de puerta, lo que ocurra primero. Véase 11.6

+++ IMPORTANTE +++ IMPORTANTE +++

## 12 Averías

### 12.1 Averías que podrá restaurar usted mismo

- **La puerta no responde en absoluto.**
  1. Compruebe la tensión, es decir, si está conectada a la red eléctrica.
  2. Consulte el código de error en la pantalla del control. Busque el código de error en el manual del control para averiguar lo que significaba y si puede restaurar el sistema. Si no es el caso, por favor, proporcione el código de error al centro de servicio.

- **La puerta ya no se cierra**

1. Verifique la conexión y el ajuste de la célula fotoeléctrica de seguridad (consulte los puntos 10 y 11 de la sección 5).
2. ¿Tiene activado un control externo? (¡Por ejemplo, puede que haya un objeto metálico en un bucle de inducción!).

### 12.2 Averías que NO PUEDE solucionar usted mismo

Tenga a mano la siguiente información antes de ponerse en contacto con el centro de servicio:

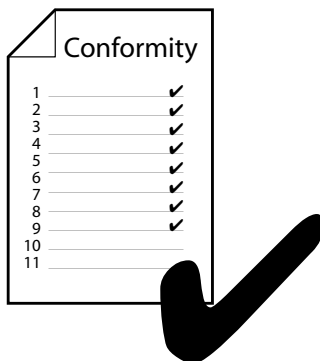
- El número de serie (s/n), tal como se indica en la placa de características. La información se encuentra en una de las columnas o en el armario de control.
- El armario de control dispone de una pantalla que muestra los códigos de error. Proporcione este código de error al centro de servicio.

**Sugerencia:** Este código de error también se puede encontrar en el manual del armario de control. El código de error se puede utilizar para restaurar fallos sencillos sin ayuda.

# Comprobación de la entrega

13

ES



- Compruebe todos los dispositivos de seguridad de la puerta y si es necesario, reajústelos.
- Compruebe todas las funciones de la puerta respecto a la lista de comprobación y firme la lista completada.
- El **Declaración de conformidad CE** deberá ser completado por el técnico.

## Lista de comprobación

Ubicación de la puerta:

Encargado el:

### 1 Placa de la puerta aprobado

- |                                     |                          |
|-------------------------------------|--------------------------|
| 1. Estado del panel de la puerta    | <input type="checkbox"/> |
| 2. Accesorio a rodillo de puerta    | <input type="checkbox"/> |
| 3. Accesorio a la viga inferior     | <input type="checkbox"/> |
| 4. Soldaduras en panel de la puerta | <input type="checkbox"/> |
| 5. Fijación de las bolas *          | <input type="checkbox"/> |
| 6. Perfiles de refuerzo *           | <input type="checkbox"/> |

### 2 Viga inferior aprobado

- |                      |                          |
|----------------------|--------------------------|
| 7. Guías             | <input type="checkbox"/> |
| 8. Junta inferior *  | <input type="checkbox"/> |
| 9. Desacoplamiento * | <input type="checkbox"/> |

### 3 Columna aprobado

- |  |                          |
|--|--------------------------|
| 10. Fijación de la columna en la pared | <input type="checkbox"/> |
| 11. Fijación de consolas en la pared   | <input type="checkbox"/> |
| 12. Abolladuras / arañazos             | <input type="checkbox"/> |
| 13. Junta lateral fija                 | <input type="checkbox"/> |

### 4 Accionamiento aprobado

- |                                  |                          |
|----------------------------------|--------------------------|
| 14. Accesorio                    | <input type="checkbox"/> |
| 15. Fugas                        | <input type="checkbox"/> |
| 16. Freno motor (clic audible)   | <input type="checkbox"/> |
| 17. Ajuste de posiciones finales | <input type="checkbox"/> |

### 5 Sistema de tensado y equilibrio \* aprobado

- |  |                          |
|--|--------------------------|
| 18. Correa tensora / elástica                | <input type="checkbox"/> |
| 19. Fijación de la correa tensora / elástica | <input type="checkbox"/> |
| 20. Poleas de retorno                        | <input type="checkbox"/> |
| 21. Discos de enrollado                      | <input type="checkbox"/> |
| 22. Resorte tensor *                         | <input type="checkbox"/> |
| 23. Bucles de hebilla *                      | <input type="checkbox"/> |
| 24. Hebilla apretada *                       | <input type="checkbox"/> |

**6 Control**

- 25. Pulsadores de la caja
- 26. Interruptor de parada
- 27. Cableado general

aprobado

- 
- 
- 

**7 Operación**

- 28. Pulsadores \*
- 29. Interruptor tirador\*
- 30. Célula fotoeléctrica + reflector \*
- 31. Radar \*
- 32. Bucle de inducción \*
- 33. Receptor \*
- 34. Transmisor de mano\*
- 35. Interruptor de llave \*

aprobado

- 
- 
- 
- 
- 
- 
- 
- 

**8 Seguridad**

- 36. Célula fotoeléctrica de seguridad \*
- 37. Protección de bordes \*
- 38. Pantalla con iluminación \*
- 39. Infrarrojos \*

aprobado

- 
- 
- 
- 

**9 Cubierta \***

- 40. Accesorio
- 41. Estanqueidad

aprobado

- 
- 

**10 Varios**

- 42. Adhesivo de mantenimiento
- 43. Placa de características

aprobado

- 
- 

\* si procede

## Declaración del técnico y/o empresa instaladora

Declaramos que hemos cumplido las instrucciones del fabricante conforme a la norma **EN 13241** **Sistemas de puertas industriales, comerciales y de garaje IIA.**

Sello de la empresa

Empresa de instalación:

Lugar de entrega:

Calle y número de propiedad:

Fecha:

Código Postal / Municipio:

Nombre del técnico:

Teléfono / fax:

Firma del técnico:





Manual do utilizador

Porta de enrolamento rápido **SR Prime / Strong**

Português



*Intelligent Door Solutions*

# Índice

1. Detalhes específicos da encomenda .....	29
2. Introdução - Leia primeiro estas informações! .....	30
3. Utilização inadequada .....	30
4. Termos da garantia .....	30
5. Peças da porta .....	31
6. Descrição do produto .....	32
7. Especificações técnicas .....	33
8. Funcionamento (utilização da porta) .....	34
9. Dispositivos de segurança .....	36
10. Configurar o temporizador .....	36
11. Manutenção .....	36
12. Avarias .....	37
13. Lista de verificação de entrega .....	38
14. Notas .....	40
Copyright .....	44



## Atenção!

Dependendo dos acessórios encomendados, a entrega poderá conter manuais adicionais, por exemplo, para o controlo da porta. Leia as presentes instruções atenta e cuidadosamente. Leia os comentários com atenção e certifique-se de que cumpre as instruções de segurança e orientações de advertência fornecidas nestes manuais.

+++ ADVERTÊNCIA +++ ADVERTÊNCIA +++

## Estimado cliente,

Obrigado por optar por um produto Novoferm. Esperamos que esteja satisfeito e que o produto exceda as suas expectativas.

- Caso não seja possível utilizar a porta (dificuldade de movimento ou outras avarias), deve contactar de imediato um especialista com vista a proceder à reparação da porta.
- O presente manual do utilizador deve ser mantido num local de fácil acesso durante todo o período de utilização!

PT

### 1 Detalhes específicos de encomenda

O presente manual do utilizador é aplicável à seguinte porta de enrolamento NovoSpeed:

Tipo:

.....  
Número de encomenda:

.....  
Data de entrega:

.....  
Centro de assistência:

.....  
A placa de identificação está numa das colunas e/ou na caixa de controlo. A placa de identificação indica o número de encomenda da porta. Forneça-o quando contactar o seu distribuidor.

# Manual do utilizador em português

PT

## 2 Introdução - Leia primeiro estas informações!

Leia atentamente o presente manual do utilizador antes de utilizar a sua porta de enrolamento rápido. A utilização correcta da porta aumentará a sua segurança e resultará no prolongamento da vida útil da porta e na redução dos custos de assistência.

Este manual do utilizador descreve a utilização de uma porta instalada e configurada por um distribuidor autorizado ou por um engenheiro qualificado.

Uma porta com accionamento eléctrico só pode ser colocada em funcionamento após ter sido emitido o respectivo certificado de conformidade [marcação CE].

A partir de 1 de Julho de 2013 deve ser entregue aos utilizadores uma declaração de desempenho de acordo com o Regulamento UE n.º 305/2011 Anexo III (o regulamento relativo a produtos de construção) sob a forma de um documento individual.

Este manual está previsto para o utilizador diário da porta e deve ser mantido perto desta.



## Advertência

Aquando da colocação em funcionamento da porta, o profissional experiente deve verificar a existência de possíveis perigos e certificar-se de que a porta funciona adequadamente e pode ser accionada manualmente. (EN 12604 e EN 12453).

+++ ADVERTÊNCIA +++ ADVERTÊNCIA +++

- Forneça instruções a todos os utilizadores sobre como utilizar a porta de enrolamento rápido.
- Não permita a utilização da porta por terceiros (por exemplo, visitantes).

O fabricante não pode ser responsabilizado por danos e/ou ferimentos resultantes do não cumprimento das instruções mencionadas no presente manual.

Apenas o fornecedor poderá efectuar alterações ou acrescentar componentes ao produto.



## Importante!

- A área de aplicação desta porta de enrolamento rápido é definida na norma EN 13241.
- A instalação, reparação, manutenção e desmontagem da porta devem ser efectuadas por um profissional experiente, em conformidade com a norma EN 12635.

+++ IMPORTANTE +++ IMPORTANTE +++

### Utilização prevista

A porta de enrolamento rápido está prevista para incorporação em espaços de acesso para pessoas, com vista a proporcionar uma passagem segura de mercadorias e veículos, acompanhados ou não por pessoas, para contextos comerciais, industriais e residenciais. O âmbito de aplicação desta porta é determinado pela norma EN 13241.

### Utilização da porta de enrolamento rápido

É possível abrir a porta enrolando o painel da porta para cima (consulte o capítulo 8). Um mecanismo de accionamento comanda o eixo. Ambos os lados do painel da portatêm colunas que guiam o painel da porta.

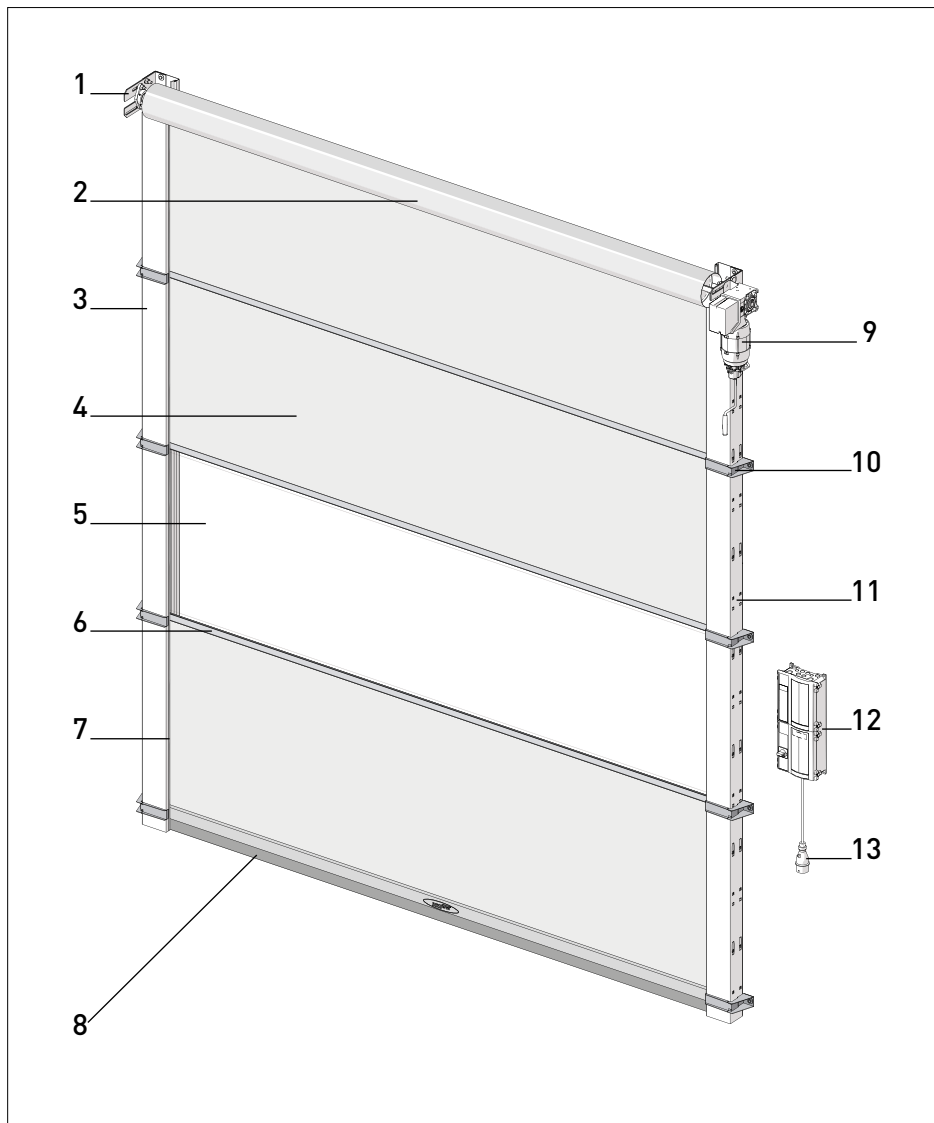
## 3 Utilização inadequada

- Nunca encoste objectos ao painel da porta nem ao rolo superior.
- Nunca fixe quaisquer componentes ao painel da porta que possam aumentar o respectivo peso.
- Nunca utilize a porta como dispositivo de elevação.
- Nunca abra e feche a porta utilizando interruptores que não sejam os indicados para esse fim.

## 4 Condições da garantia

Condições Novoferm, arquivada na Câmara de Comércio sob o n.º. 06067599. Versão 2.0 datado de 1 de Março, 2017.





## 5 Peças da porta

- |   |   |    |   |
|---|---|----|---|
| 1 | Console                                 | 8  | Feixe inferior (FlexEdge/HardEdge)*       |
| 2 | Rolo superior                           | 9  | Accionador                                |
| 3 | Coluna                                  | 10 | Suporte de reforço*                       |
| 4 | Painel de porta com 0,7 mm de espessura | 11 | Cortina de luz de segurança               |
| 5 | Secções transparentes de janela*        | 12 | Controlo                                  |
| 6 | Perfil dobradiça de alumínio*           | 13 | 230/400V conexão*                         |
| 7 | Escova/borracha de vedação*             |    | * Dependendo da configuração escolhida .. |

# Manual do utilizador em português

## 6 Descrição do produto

A Novoferm SpeedRoller é uma porta de enrolamento rápido com um accionamento eléctrico. É aplicada em edifícios industriais e comerciais. Tem funcionalidades de poupança de energia, bloqueio de corrente de ar e controlo de clima.

### 6.1 Especificação, construção

A Novoferm SpeedRoller é composta por um painel de porta que é enrolado para cima por um rolo accionado electricamente por cima da abertura. O painel da porta é composto por secções horizontais em plástico. O bordo de fechamento do painel da porta consiste em um FlexEdge ou HardEdge. As colunas de aço conduzem o painel da porta e formam uma unidade com as consolas de aço onde se fixam o rolo e a tampa. O estabilizador do painel da porta é aplicado de série.

### 6.2 Materiais

A coluna é composta por dois canais de aço galvanizado Sendzimir equipados com escovas que vedam as correntes de ar, que podem ser retiradas para a instalação e manutenção. O rolo horizontal é feito de aço. A viga inferior é feita de alumínio. O painel da porta é feito de plástico com inserção de nylon, de 0,7 mm de espessura. O painel da porta está equipado com perfis de reforço em alumínio.

### 6.3 Cor

Está disponível em azul, cinzento, laranja ou amarelo, e está equipado de série com uma secção de visão.

### 6.4 Mecanismo de accionamento

A unidade de accionamento é composta por uma unidade de motor eléctrico/caixa de velocidades e um dispositivo integrado que impede os painéis de rolarem para fora. O rolo superior é accionado directamente. O lado de accionamento pode ser à direita (padrão) ou à esquerda.

### 6.5 Funcionamento/controlo

- A porta é fornecida com botões (abertura, paragem e fecho) na frente da caixa de interruptores.

Ao controlo padrão podem também ser associados os seguintes tipos de funcionamento:

- Botão, interruptor de puxar ou funcionamento radiográfico com transmissor portátil de 1 botão. Todos funcionam da seguinte forma: primeira utilização, a porta abre; segunda utilização, a porta fecha.
- Funcionamento radiográfico utilizando um transmissor portátil de 3 botões com a função de subida, paragem e descida.

### 6.6 Dispositivos de segurança

- Em caso de falha de corrente eléctrica, a porta pode ser aberta manualmente.
- O feixe inferior está equipado com um batente de segurança de auto-teste que pára a porta ou fá-la abrir-se imediatamente caso encontre um obstáculo durante o fecho. Este dispositivo de segurança é à prova de humidade.
- O accionamento está equipado de série com um dispositivo que impede os painéis de rolarem para fora.

### 6.7 Requisitos e ligação da estrutura de instalação

- tomada num raio de 500 mm da caixa de interruptores a instalar (IEC 60309 3-NPE/400 V/50 Hz/16 A). Normalmente, está instalada a cerca de 1500 mm do solo, por baixo do accionador.
- A caixa de interruptores com controlador de frequência necessita de uma tomada num raio de 500 mm da caixa de interruptores (IEC 60309 azul, 1 x 230 V com fusíveis, 16 A lento e equipado com um disjuntor diferencial residual (DR) de pelo menos 300 mA). Normalmente, está instalada a cerca de 1500 mm do solo, do lado de accionamento.

## 6.8 Extras

### Controlo e funcionamento

- Funcionamento através de botões, interruptores de puxar, cortina de luz, radar, circuito de indução ou funcionamento radiográfico. Outros tipos de actuadores disponíveis a pedido.
- Paragem «A meio da subida» (para permitir a entrada a pessoas).
- Alternação de bloqueio em combinação com outra porta.
- Especificações de fornecimento eléctrico diferentes de 3N~400 V/50 Hz/16 A

### Dispositivos de segurança

- Ligação de luzes de trânsito (vermelho/verde ou vermelho e verde)
- Luz de aviso - luz intermitente (laranja ou vermelha)
- Secção eléctrica em IP65

### Implementação

- Tampa plástica sobre o rolo superior
- Tampa plástica sobre o accionamento
- Tampa plástica sobre o rolo superior e o accionamento
- Colunas e tampa pintadas na cor RAL desejada

## 7 Données techniques

### 7.1 Dimensions

- Largura máx.
- Altura máx.
- Superfície máx.
- Espaço necessário, lado contrário ao de accionamento (altura do rolo)
- Espaço necessário, lado de accionamento
- Espaço necessário, lado de accionamento, para equipamento integrado
- Espaço necessário, colunas
- Altura livre

**PRIME** 3500 mm    **STRONG** 5000 mm

**PRIME** 3500 mm    **STRONG** 5000 mm

**PRIME** 12,25 m<sup>2</sup>    **STRONG** 25 m<sup>2</sup>

**PRIME** 175 mm    **STRONG** 175 / 200 mm

**PRIME** 285 mm    **STRONG** 300 mm

**PRIME** min. 395 mm    **STRONG** min. 410 mm

**PRIME** 145 mm    **STRONG** 145 mm

**PRIME** 350 mm    **STRONG** 350 mm

### 7.2 Mecanismo de accionamento

- Tensão padrão da corrente eléctrica: 3NPE~400 V/50 Hz/16 A
- Tensão padrão da corrente eléctrica de frequência: LNPE~ 230 V/50 Hz/16 AT
- Classe de protecção IP65
- Consumo de energia **PRIME** max. 1,5 kW **STRONG** max. 2 kW

### 7.3 Desempenho

- Sem Controlar utilizando o controlador de frequência (opção), para o qual:
  - Velocidade de abertura máx. 1,0 m/s
  - Velocidade de fecho máx. aprox. 1,0 m/s
- Controlar utilizando o controlador de frequência (opção), para o qual:
  - Velocidade de abertura máx. 1,5 m/s
  - Velocidade de fecho máx. aprox. 0,5 m/s

## 8 Funcionamento e utilização da porta



### Advertência

Uma porta avariada pode causar ferimentos ou danificar objectos. Utilize a porta apenas quando não indica avarias ou erros.

O movimento da porta pode provocar ferimentos nas pessoas ou danos nos objectos.

- Certifique-se de que quando a portase move, não existem pessoas ou objectos dentro do alcance da porta.
- Não agarre a coluna nem o rolo superior quando a porta estiver em movimento.
- Nunca encoste objectos ao painel da porta nem ao rolo superior.
- Não fixe quaisquer componentes ao painel da porta que possam aumentar o peso ou a espessura do painel da porta
- Nunca use a porta para elevar pessoas ou objectos.

+++ ADVERTÊNCIA +++ ADVERTÊNCIA +++

O sistema de controlo permite vários modos de funcionamento diferentes:

### 8.1 ABRIR interruptor de controlo persistente [↑] / FECHAR interruptor de controlo persistente [↓]



Mantenha pressionado o botão [↑] para abrir a porta até atingir a posição final ABERTA, ou pare o movimento da porta libertando o botão.

Para fechar a porta, mantenha pressionado o botão [↓] (interruptor de controlo persistente) até atingir a posição final. A porta pára imediatamente de fechar se libertar o botão [↓]

enquanto a porta está a fechar.

### 8.2 ABRIR Impulso/FECHAR botão de controlo persistente

Pressione brevemente o botão [↑] ou utilize o emissor externo de impulsos para abrir a porta até atingir a posição final ABERTA, ou pressione o botão [O] para parar a abertura da porta. Pressione o botão [↑] para abrir mais a porta. Mantenha pressionado o botão [↓] (função de controlo persistente) para fechar a porta até atingir a posição final da porta. Ao libertar o botão [↓] enquanto a porta fecha, esta parará imediatamente de fechar.

### 8.3 ABRIR Impulso / FECHAR Impulso

Pressione brevemente o botão [↑] ou utilize o emissor externo de impulsos para abrir a porta até atingir a posição ABERTA ou até que o botão seja pressionado novamente para parar de abrir a porta. Pressione brevemente o botão [↓] para fechar a porta até atingir a posição final de FECHADA.

Deve atingir uma protecção de lado de fecho (menu 35) para activar este modo de funcionamento.

Quando a protecção do batente de fecho é activada durante o movimento de fecho, a porta pára de fechar e reverte a direcção do movimento. Se activar esta protecção durante a abertura da porta, o seu movimento não será afectado. Em caso de falha, a porta pode ser fechada utilizando o botão [↓].

### 8.4 Funcionamento AR (retorno automático)

Pressione brevemente o botão [↑] (ou utilize o emissor externo de impulsos) para abrir a porta até atingir a posição ABERTA ou até que pressione o botão [O] para parar a abertura da porta. Decorrido o tempo de abertura definido, soa um aviso temporizado de 10 segundos, após o qual a porta fecha automaticamente.

Caso o botão [O] seja pressionado quando a porta estiver na posição ABERTA ou estiver A FECHAR, a porta fica na mesma posição até que seja emitido novo impulso.

Se o menu 36 for definido para "5" ou "6", a porta pára durante o movimento da porta. O temporizador de abertura da porta é iniciado novamente.

## 8.5 Modo "ABRIR/FECHAR"

No mesmo modo de funcionamento das regulações de 1 faixa que utilizam uma luz de trânsito vermelha/verde (funcionamento opcional de luz de trânsito (A800), mas o receptor continua ligado ao accionador.

Progresso do funcionamento para geradores externos de impulsos:

- Impulso emitido na posição "FECHADA": O accionamento começa e desloca a porta até à posição "ABERTA".
- Emissor de impulsos durante o movimento até à posição "ABERTA": Nenhuma influência, a porta continua a abrir.
- Impulso emitido na posição "ABERTA": A porta fecha.
- Impulso emitido durante o movimento até à posição "FECHADA": A porta pára e começa a abrir.

## 8.6 Funcionamento AR encurtado pela cortina de luz

Esta função funciona como descrito abaixo, mas a interrupção do circuito da cortina de luz de segurança interrompe o tempo de abertura definido e inicia o período de aviso. No final do período de aviso, a porta fecha automaticamente.

## 8.7 Porta meio aberta

Pressione o botão **[1/2]** para mover a porta até à posição de 1/2 abertura (menu 32). Esta função não está disponível no modo de funcionamento ABRIR botão de controlo persistente/FECHAR botão de controlo persistente.

## 8.8 Luz e/ou luz de aviso

O controlo tem 2 saídas de relé que alteram a luz ou a luz de aviso (menus 45 e 46).

## 8.9 Função interruptor de chave (opção)

O controlo tem uma entrada para um interruptor de chave. Fornece a opção de activar as seguintes funcionalidades (menu 50):

1. Emissor de impulsos "ABERTURA, PARAGEM E FECHO"
2. O funcionamento do controlo está bloqueado
3. Todos os elementos de funcionamento externos estão bloqueados
4. O funcionamento do controlo e todos os elementos de funcionamento externos estão bloqueados
5. Durante um período de 10 segundos, o funcionamento do controlo e todos os elementos de funcionamento externos estão activos
6. Mudar o modo de funcionamento para ABRIR Impulso/FECHAR botão de controlo persistente
7. Porta apenas 1/2 aberta

## 8.10 Unidades de comando externas/emissores de impulso

A porta pode ser aberta e fechada com unidades de comando externas/emissores de impulso.

## 8.11 Transmissor portátil sem fios (opção)

- Chave: Iniciar Emite primeiro impulso: O accionamento começa e move a porta para a posição final definida ABERTA ou FECHADA.
- Emite impulso durante o movimento: A porta pára.
- Emite outro impulso: A porta continua a mover-se na direcção oposta.

## Funcionamento AR:

Impulso: A porta abre.

Chave para porta meio aberta:

Funciona como a chave de Arranque, no entanto, a porta é apenas meio aberta até à posição predefinida.

Chave: Função de luz

A função de luz está relacionada com uma luz contínua que pode ser "ligada" e "desligada" independentemente do movimento da porta.

## 8.12 Mensagem de assistência

Quando o controlo detecta que foi feita uma verificação, a mensagem de assistência ilumina-se. Nesse caso, contacte a empresa especialista.

# Manual do utilizador em português

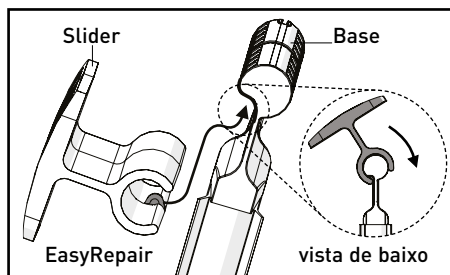
## 9 Dispositivos de seguridad

La puerta está equipada con un accionamiento con dispositivo antideslizamiento integrado y la cortina de luz de seguridad.

### 9.1 EasyRepair Tormatic controlo

Instruções passo a passo, para restaurar o "reparo fácil": **Código de erro: E06**

- Mantenha pressionado por **5 segundos** o botão **【↓】** (a porta está agora em modo de controlo "homem morto").
- Mova o painel da porta para uma altura útil usando os botões **【↑】【↓】**
- Repare o "reparo fácil" deslizando as peças juntas.



- Pressione brevemente o botão **【↑】**. Para abrir a porta até chegar à posição final aberta

### 9.2 Cortina de luz de seguridad

La cortina de luz de seguridad tiene una altura de 2500mm. Cuando el haz infrarrojo es interrumpido por un objeto en la abertura de la puerta cuando se está cerrando ésta, la puerta se detendrá y posteriormente se abrirá completamente. Una vez haya transcurrido el tiempo programado y la dispositivos de seguridad esté libre, la puerta se volverá a cerrar. En la posición cerrada o cuando se abre, la dispositivos de seguridad no tiene efecto.

### 9.3 Protección de borde de cierre

La protección de borde de cierre se incluye en el perfil de goma de la viga inferior. Si la puerta entra en contacto con un objeto en la abertura cuando se está cerrando, se detendrá y luego se abrirá completamente. Después de que haya transcurrido el tiempo de apertura ajustado, la puerta se cerrará automáticamente. Si la protección de borde de cierre se activa tres veces consecutivas, la puerta se mantendrá abierta y habrá que pulsar el botón **【↓】** para

volver a poner en marcha la puerta.

## 10 Ajustes

### 10.1 Ajuste del temporizador

El temporizador se establece mediante el parámetro 44, como se describe en el manual del control.

### 10.2 Configuración de Cortina de luz de seguridad

Si el haz cortina de luz de seguridad no se interrumpe, se encenderá un LED rojo (en la parte superior de la cortina de luz. Si el LED no se enciende cuando el haz no está interrumpido (no hay ningún objeto en la abertura), probablemente la cortina de luz no esté bien alineada en relación con el sensor. En este caso, se deberá redirigir la cortina de luz a la parábola. Si el sensor de la cortina de luz está contaminado, o si la cortina de luz se dirige hacia el borde del sensor, el LED rojo parpadeará en la cortina de luz para indicar que se debe ajustar. ¡Todos los demás ajustes los deberán realizar técnicos cualificados!

## 11 Mantenimiento

### General

Todos los puntos de rotación son autolubrificantes y no requieren mantenimiento. En condiciones extremas (medio agresivo) recomendamos lubricar todos los puntos de rotación cada seis meses (o cuando sea necesario).



## Importante!

**Caso a manutenção anual não seja executada por um centro de assistência qualificado utilizando peças de origem, a garantia será considerada nula. (Solicite a assistência do seu distribuidor).**

+++ IMPORTANTE +++ IMPORTANTE +++

### 11.1 Diariamente

Quite toda la suciedad y los obstáculos que puedan impedir el funcionamiento de la puerta.

### 11.2 Semanalmente

Compruebe si hay fugas en el accionamiento. Compruebe si hay daños en la puerta.

Compruebe que la puerta está funcionando correctamente.

## 11.3 Mensualmente

Verificar o funcionamento do travão motor. Deve clicar audivelmente ao abrir e fechar o portão.

## 11.4 Anualmente

El funcionamiento y las condiciones estructurales de la puerta se deberán revisar una vez al año por un técnico cualificado. Se podrá concluir un contrato de mantenimiento para los trabajos de mantenimiento. En condiciones extremas, los controles se pueden realizar con más frecuencia, de común acuerdo con Novoferm.

## 11.5 Limpar o painel da porta

O painel da porta é feito de PVC. Não utilize substâncias corrosivas; utilize apenas água, sabão neutro ou um produto de limpeza especial para painéis de portas.

## 11.6 Desgaste de peças

Para manter a porta permanentemente em boas condições, as peças seguintes sujeitas a desgaste devem ser substituídas uma vez por ano ou a cada 100 000 movimentos da porta, dependendo de qual ocorra mais cedo:

Para a NovoSpeed Prime/Strong:

- O travão do motor
- As escovas de vedação

Além disso, as faixas de borracha que fornecem a tensão necessária ao painel da porta devem ser substituídas a cada dois anos, ou após 100 000 movimentos de porta, dependendo de qual ocorra mais cedo.



## Importante!

O travão e as escovas devem ser substituídos anualmente ou após 500 000 movimentos de porta, e as faixas elásticas devem ser substituídas a cada dois anos ou após 100 000 movimentos de porta, dependendo de qual ocorra mais cedo. Consulte 11.6

+++ IMPORTANTE +++ IMPORTANTE +++

## 12 Avarias

### 12.1 Avarias que pode resolver você mesmo

- A porta não responde.
1. Verifique a tensão, isto é, se está ligada à corrente eléctrica.
  2. Consulte o código de erro no ecrã do controlo. Procure o código de erro no manual do controlo para descobrir o que significa e se pode restabelecer o sistema. Se tal não for o caso, forneça o código de erro ao seu centro de assistência.
- A porta já não fecha
1. Verifique a ligação e o ajuste da célula fotoeléctrica (consulte os itens 10 e 11 da secção 5).
  2. Foi activado algum controlo externo? (Por exemplo, pode existir um objecto metálico ou um circuito de indução!).

### 12.2 Avarias que NÃO pode resolver você mesmo

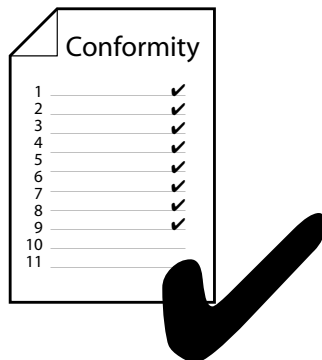
Tenha as seguintes informações prontas antes de contactar o seu centro de assistência:

- O número de série (s/n) tal como está indicado na placa de identificação. A informação está localizada numa das colunas ou no armário de controlo.
- O armário de controlo tem um ecrã que exhibe códigos de erro. Forneça este código de erro ao seu centro de assistência.

**Sugestão:** Pode também encontrar este código de erro no manual do armário de controlo. O código de erro pode ser utilizado para resolver avarias simples sem assistência.

# Verificação de entrega

13



PT

- Verifique todos os dispositivos de segurança da porta e, se necessário, proceda ao ajuste dos mesmos.
- Verifique todas as funções da porta face à lista de verificação e assine a lista preenchida.
- O **Declaração de Conformidade CE** deve ser preenchido pelo técnico.

## Lista de verificação

Localização da porta:

Colocado em funcionamento a:

### 1 Placa da porta

- aprovado
1. Estado do painel da porta
  2. Acessório do rolo da porta
  3. Acessório do feixe inferior
  4. Soldaduras no painel da porta
  5. Fixar as esferas \*
  6. Perfis de reforço \*

### 2 Feixe inferior

- aprovado
7. Guias
  8. Vedação inferior \*
  9. Removível \*

### 3 Coluna

- aprovada
10. Fixar a coluna à parede
  11. Fixar as consolas à parede
  12. Mossas/riscos
  13. Vedação lateral fixa

### 4 Mecanismo de accionamento

- aprovado
14. Fixação
  15. Fugas
  16. Travão de motor (estalido audível)
  17. Configurar posições finais

### 5 Sistema de estabilização e tensão \*

- aprovado
18. Elástico/correia de tensão
  19. Elástico/correia de tensão de fixação
  20. Polias de retorno
  21. Discos de enrolamento
  21. Mola de tensão \*
  23. Presilhas da fivela \*
  24. Fivela apertada \*



**6 Controlo**

- 25. Botões na caixa
- 26. Interruptor de paragem
- 27. Cablagem geral

aprovado

- 
- 
- 

**7 Funcionamento**

- 28. Botões \*
- 29. Interruptor de puxar \*
- 30. Célula fotoelétrica + reflector \*
- 31. Radar \*
- 32. Laço de indução \*
- 33. Receptor \*
- 34. Transmissor portátil \*
- 35. Interruptor de chave \*

aprovado

- 
- 
- 
- 
- 
- 
- 
- 

**8 Segurança**

- 36. Célula fotoelétrica de segurança \*
- 37. Protecção do batente de segurança \*
- 38. Barreira óptica \*
- 39. Infravermelhos \*

aprovado

**9 Cobertura \***

- 40. Fixação
- 41. Fixação da vedação

aprovado

**10 Diversos**

- 42. Autocolante de manutenção
- 43. Placa de identificação

aprovado

\* se aplicável

## Declaração do engenheiro e/ou empresa de instalação

Declaramos que cumprimos as instruções do fabricante de acordo com a norma **EN 13241** relativa a **Portas industriais, comerciais, de garagem e portões, Anexo IIA.**

Carimbo da empresa

Empresa de instalação:

Local de entrega:

-----  
Rua e número:

-----  
Data:

-----  
Código postal/local:

-----  
Nome do engenheiro:

-----  
Telefone/fax:

-----  
Assinatura do engenheiro:









# Copyright



## English

All rights reserved. Nothing in this publication may be reproduced and/or published by means of printing, photocopy, microfilm or any other means without the prior written permission of the supplier. This also applies for the associated drawings and diagrams.

The supplier reserves the right to change components at any time, without prior or direct announcement to the customer. The contents of this publication can also be changed without prior warning.

For information concerning adjustments, maintenance activities or repairs not covered by this publication, you are requested to contact your supplier.

This publication has been prepared with the greatest possible care, but the supplier can accept no responsibility for any errors in this publication or the results thereof.

## Español

Reservados todos los derechos. Ninguna parte de esta publicación podrá reproducirse ni publicarse mediante imprenta, fotocopia, microfilme o cualquier otro medio, sin previa autorización por escrito del proveedor. Esta restricción también es válida para los planos y esquemas correspondientes.

El proveedor se reserva el derecho de modificar componentes en cualquier momento, sin notificación previa o directa al cliente. También el contenido de esta publicación puede modificarse sin aviso previo.

Si desea más información acerca de los ajustes y trabajos de mantenimiento y reparación que no se indiquen en esta publicación, le rogamos se ponga en contacto con su proveedor.

Aunque en la elaboración de la presente publicación se ha puesto la máxima atención, el proveedor no podrá aceptar ninguna responsabilidad por los posibles errores en la misma ni por sus consecuencias.

## Português

Reservados todos os direitos. Esta publicação não pode ser reproduzida ou transmitida, no todo ou em parte, por qualquer processo, incluindo imprensa, fotocópia, microfilme ou outros, sem autorização prévia e escrita do fornecedor. Isto inclui os desenhos e esquemas que fazem parte desta publicação.

O fornecedor reserve o direito de modificar as peças a qualquer altura, sem aviso prévio nem aviso imediato ao comprador. O conteúdo desta publicação é também sujeito a modificações sem aviso prévio.

Para informação sobre ajustamentos, trabalhos de manutenção ou reparos que não são incluídos nesta publicação, pedimos-lhe que contacte o seu fornecedor.

Embora esta publicação foi compilada com o maior cuidado, o fornecedor não pode assumir responsabilidade nenhuma para erros eventuais nela ou para as consequências destes erros.



**NOVOFERM NEDERLAND B.V.**

Tel.: +31 (0)418 654 700

E-Mail: [industrie@novoferm.nl](mailto:industrie@novoferm.nl)

[www.novoferm.nl](http://www.novoferm.nl)

