

Assembly instructions

EN

# High Speed door SR Prime / Strong



*Intelligent Door Solutions*

Installation manual  
High Speed door **SR Prime / Strong**  
English



*Intelligent Door Solutions*

# Contents

- 1. Introduction .....2
- 2. Preparation.....4
- 3. Parts .....8
- 4. Installation..... 10
- 5. Installation HardEdge .....24
- 6. Installation FlexEdge .....29
- 7. Finalize installation.....32
- Copyright .....34

## Dear Customer,

Thank you for choosing a Novoferm quality product. We hope that you are satisfied and that it exceeds your expectations.

The correct operation and appropriate servicing affect the performance and life of the door to a high degree. Operating errors and poor maintenance inevitably lead to the product malfunctioning. Furthermore, a sustainable and safe operation can only be guaranteed if it is used correctly and with careful maintenance.



### Note!

Depending on the ordered accessories, the delivery may contain additional manuals, for example for the control of the door. Please read these instructions carefully and thoroughly. Please read the comments carefully and make sure you keep to the safety instructions and warning guidelines in these manuals.

+++ WARNING +++ WARNING +++ WARNING +++

# 1. Introduction

EN



## IMPORTANT!

- The area of application for this industrial SpeedRoller door is set out in EN 13241
- Upon operating the door, the qualified expert must check for potential hazards and satisfy himself that the door is balanced and functioning properly and can be operated by hand as per EN 12604 and EN 12453
- Maintenance should be performed at least every year or 100,000 cycles.
- Annual maintenance that is not carried out by a qualified service centre using original parts, will void the warranty. (Please ask your dealer).

+ IMPORTANT +++ IMPORTANT +++ IMPORTANT +

### 1.1 General instructions

- Read the installation manual thoroughly before beginning to install the product! Note all comments and take the safety and warning instructions very seriously!
- Make sure that the generally applicable legal and other mandatory regulations for accident prevention and environmental protection, national regulations and approved technical regulations for safe and proper execution of the work are respected.
- The qualified expert is responsible for checking if the supplied fixing materials are suitable for the building's structure.
- Keep to the sequence given in the assembly drawings!
- Always use the correct tools!
- Only perform work on the industrial door when the door is put out of service.
- Pay special attention to the dangers that can arise when tensioning the springs: use special tools!
- Failure to follow these instructions may result in serious injury or material damage!
- The used components are manufactured from high quality, durable and solid materials. Nevertheless, during the installation of the door caution is necessary to avoid damage.

- Replace any defective parts by original spare parts only, otherwise the safe and proper operation of the door can not be guaranteed. Also, the warranty is no longer available!

### 1.2 Opening construction and mounting

Install the SpeedRoller door on a steel or concrete structure that is strong enough to support the forces of wind. Installation on masonry, plaster concrete etc. is strongly discouraged. It is recommended to build a solid steel frame first.



## Warning

- When mounting the door, parts could fall down, causing injury to persons and damage to objects. Fix the side guides and the top roll carefully when you start assembling.
- When working with high voltage there is a risk of electrocution. Make sure that the electrical installation at the customer complies with the applicable safety requirements.
- Turn off the power before any installation work and secure it against unauthorized switching on. Disable - if present - the lever for emergency opening.
- Never apply high voltage to the control unit, this will lead to irreparable damage to the electronics.
- Only perform welding and grinding work when it is expressly permitted on the current location. A fire or explosion hazard may exist! Provide adequate ventilation for welding or grinding to prevent the explosion of dust and other combustible materials.

+++ WARNING +++ WARNING +++ WARNING +++

### 1.3 Tolerances

All parts are produced to standard tolerances with the utmost care. The standard tolerance for steel parts is  $\pm 2$  mm, and for aluminium  $\pm 1$  mm. The maximum tolerance for assemblies is the sum of the tolerances for the various materials.

### 1.4 Operating Test

- After completing the installation, operation of the door must be checked using the Delivery checklist in the User manual.
- Fill out the Delivery checklist truthfully and sign it.
- Pass this Installation manual together with the User manual and other documentation to the customer.

### 1.5 Initial use



## Warning

**A defective door can hurt people or damage property. Only use the door when it is in a faultless condition.**

+++ WARNING +++ WARNING +++ WARNING +++

- An electrically powered door may only be put into use subsequent to the issuing of a declaration of conformity.
- This door may only be used at ambient temperatures between  $-30$  and  $+40$  degrees Celcius.
- Properly instruct users how to operate the door. Do not permit third parties (visitors for example) to use the door.
- These installation instructions are to be handed over to the customer and must be kept during the whole period of use!
- Do not modify the software of the programmable control system.
- Modification or extension of the product only by the supplier.
- Novoferm is not liable for damage and / or injury caused as a result of actions which are contrary to this manual.



## Warning

**Movements of the door can hurt people or damage objects.**

- Ensure that during the operation of the door no persons or objects are in the range of the door leaf.
- Never grab in the guide, the tension spring, the tension belt or pulley during operation of the door.
- Never place objects against the door or against the roller.
- Never attach parts to the door which increase its weight.
- Never use the door as a hoist to lift people or objects.

+++ WARNING +++ WARNING +++ WARNING +++

### 1.6 Disassembly

The door should be disassembled by a qualified expert following chapter 4 in reverse order.



## Warning

**When disassembling the door parts could fall down, causing people to get injured or objects getting damaged. For instance, support the top roll with a forklift before disassembling it.**

+++ WARNING +++ WARNING +++ WARNING +++

# 2. Preparation

EN

## 2.1 Symbols



Note!



Measuring



Levelling



Measuring out



Drilling



Tightning



Manual operation



Shortening



Forklift truck



Lubricating



Cutting



Reading



G Clamp



Safety helmet



Ty-Rap

①②③, etc. Installation sequence

## 2.2 Preliminary remarks:

- Do not trail the top roller over the ground
- During the installation, place the top roller on a clean surface
- Do not step on the cloth (door panel!)
- The following instructions apply to standard Novoferm SpeedRoller doors



## 2.3 The SpeedRoller consists of the following main sections:

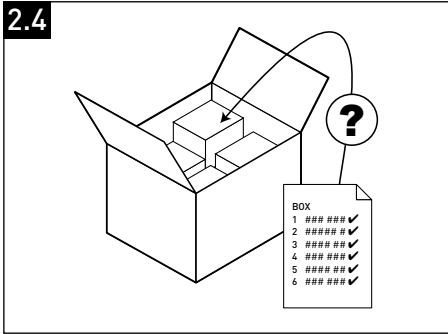


- The top roller: a door roller surrounded by a plastic door panel (cloth) and a bottom beam.
- Two columns that support the top roller and guide the door panel.
- A control box and the slip-on door drive.
- A box with further small parts.

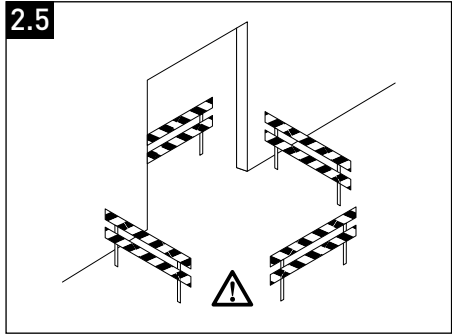
When installing multiple doors you must carefully sort all components!

Report any transport damage immediately to Novoferm Netherlands BV.

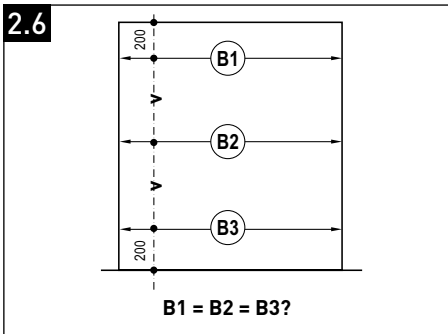
+ NOTE! +++ NOTE! +++ NOTE! +++ NOTE! +++ NOTE! +++ NOTE! +++ NOTE! +++ NOTE! +++ NOTE! +++ NOTE! +



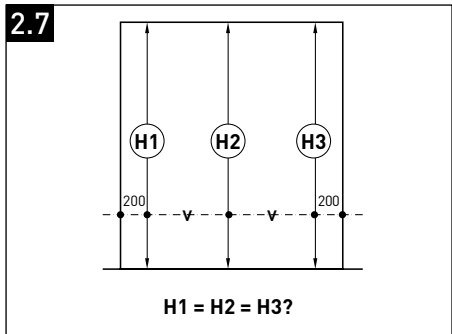
Ensure that the correct parts have been supplied. When installing multiple doors make sure to sort everything carefully.



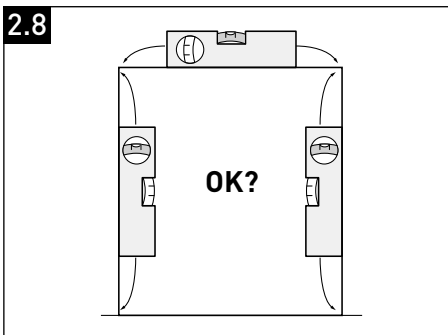
Make sure that the work area is adequately cordoned off.



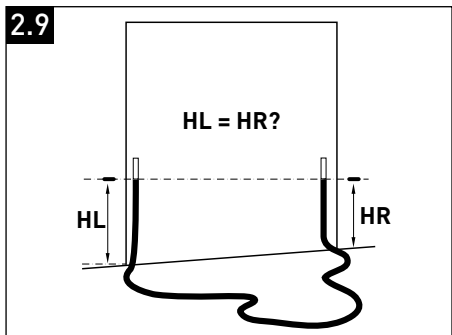
Make sure that the width of the standard opening.



Make sure that the height of the standard opening.



Make sure that lintel and frames are straight and level.



Make sure that the floor within the range of the door is smooth and level.


**2.10 M Required wall mounting kit (included)**


- Each door is supplied with the appropriate, matching mounting kit
- When installing more doors, be sure to use the correct mounting kit
- The included assembly kit is always the most current version
- Make sure the supplied mounting kit is suitable for the structural conditions

**++ IMPORTANT +++ IMPORTANT +++ IMPORTANT ++ + IMPORTANT +++ IMPORTANT +++ IMPORTANT ++**
**Mounting to Iso wall\***

Amount	Description	Material	Dimensions
9	Drill-screw round head	Steel	Ø 4,8x22
28	Fender washer	Steel	M10x30x1,5
28	Flange nut knurled		M10
28	Pom-washer		M10
28	Pom-nut		M10
28	Wire rod L = thickness isowall + 35mm	Steel	M10

**Mounting to Iso wall (Stainless steel version)\***

Amount	Description	Material	Dimensions
9	Drill-screw round head	Stainless steel A2	Ø 4,8x25
28	Fender washer	Stainless steel A2	M10x30x1,5
28	Flange nut knurled		M10
28	Pom-washer		M10
28	Pom-nut		M10
28	Wire rod L = thickness isowall + 35mm	Stainless steel A2	M10

**Mounting to Concrete / Wooden rear wall\***

Amount	Description	Material	Dimensions
9	Plug S6 Fischer		6x30
9	Cross recessed round head tapping screw	Steel	Ø 4,8x25
28	Plug S10 Fischer		10x50
28	Fender washer	Steel	M8x30x1,5
28	Threaded bolt for wood	Steel	Ø 8x80

**Mounting to Concrete / Wooden rear wall (Stainless steel version)\***

Amount	Description	Material	Dimensions
9	Plug S6 Fischer		6x30
9	Cross recessed round head tapping screw	Stainless steel A2	Ø 4,8x25
28	Plug S10 Fischer		10x50
28	Fender washer	Stainless steel A2	M8x30x1,5
28	Threaded bolt for wood	Stainless steel A2	Ø 8x80

**Mounting to Steel rear wall\***

Amount	Description	Material	Dimensions
9	Drill-screw round head	Steel	Ø 4,8x22
28	Fender washer	Steel	M8x30x1,5
28	Taptite hexagonal flange	Steel	M8x25

**Mounting to Steel rear wall (Stainless steel version)\***

Amount	Description	Material	Dimensions
9	Drill-screw round head	Stainless steel A2	Ø 4,8x25
28	Fender washer	Stainless steel A2	M8x30x1,5
28	Taptite hexagonal flange	Stainless steel A2	M8x25

\* Subject to change. The supplied mounting kit is always the latest version.



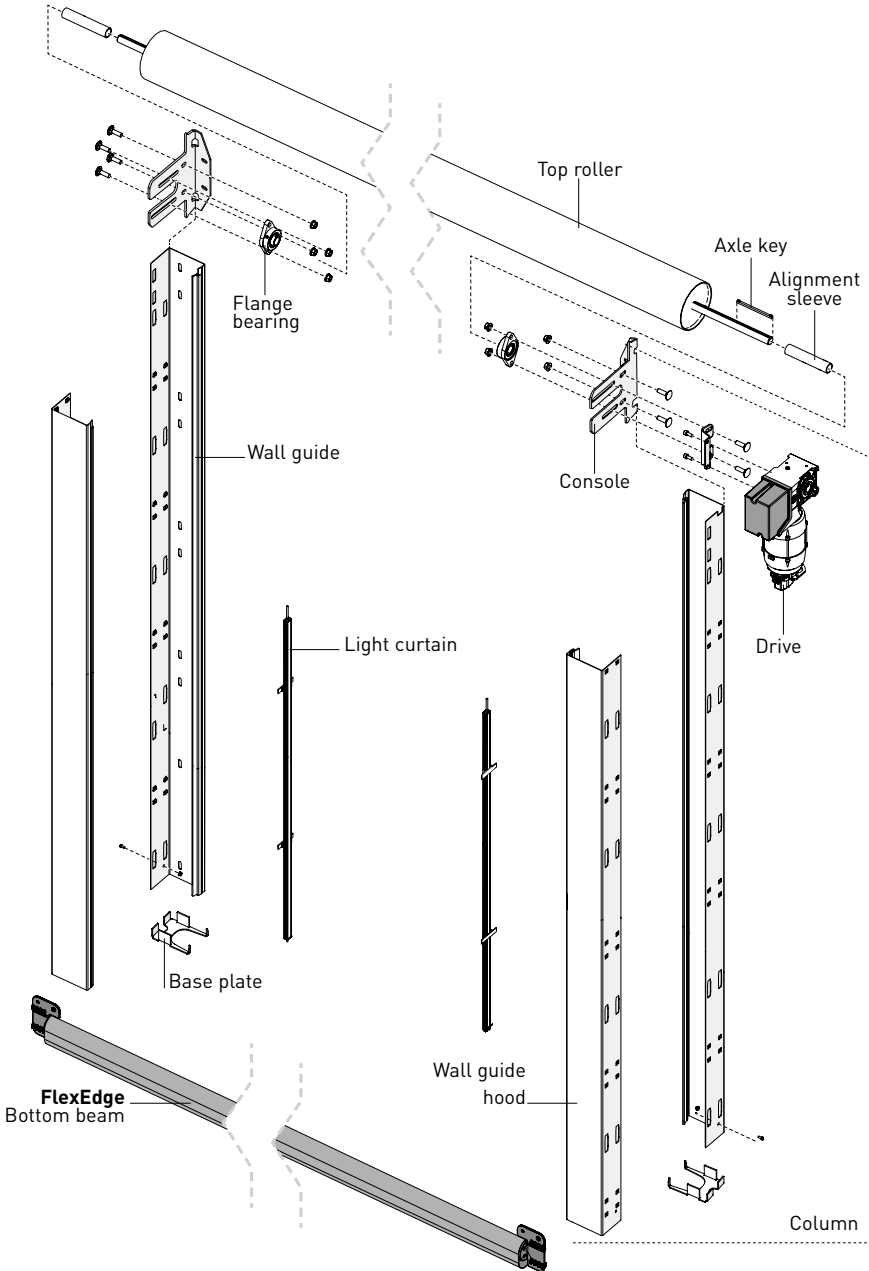


# 3. Parts

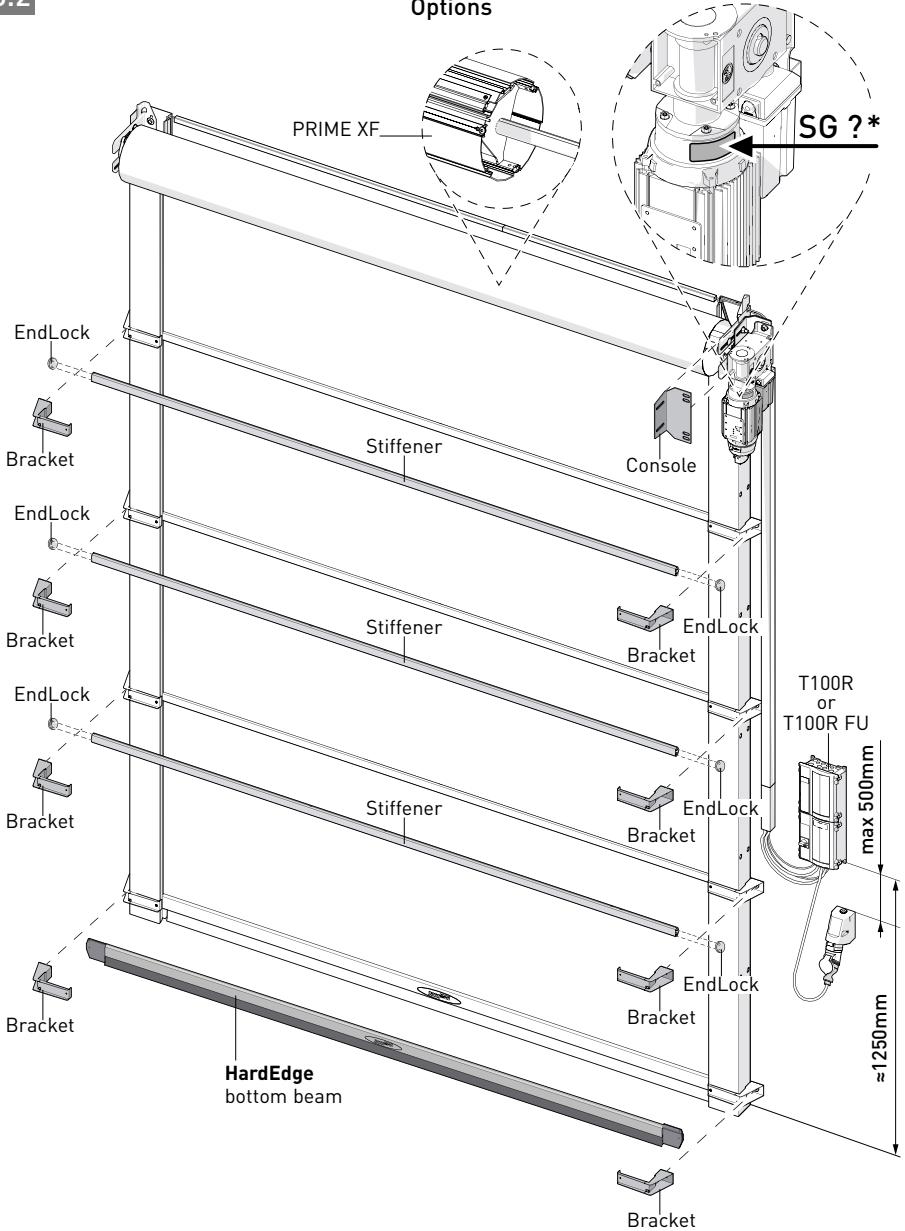
EN

3.1

Exploded view



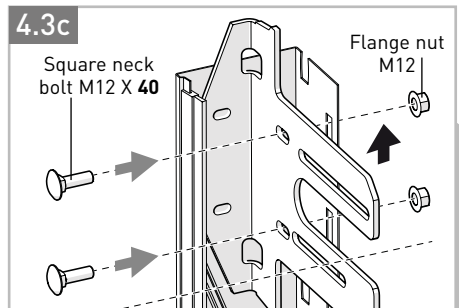
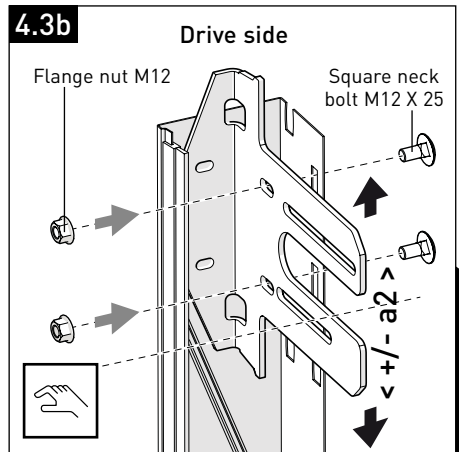
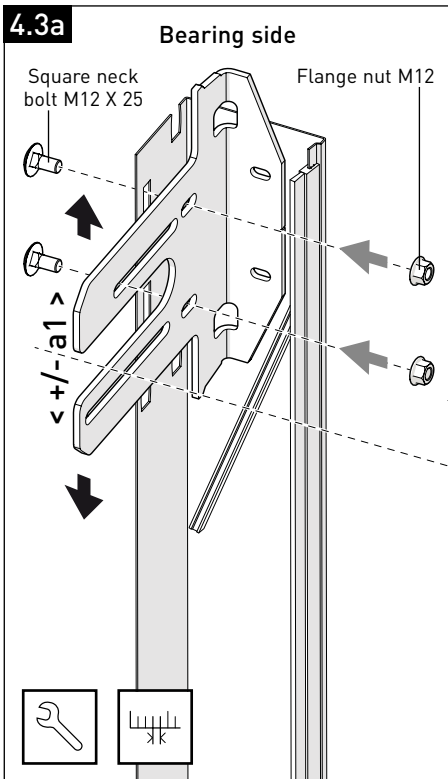
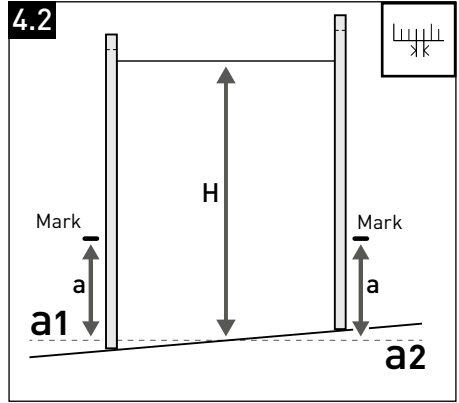
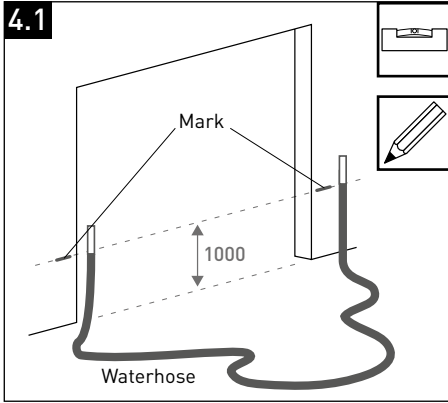
Options



Note: Depending on the design and dimensions of the door the above options may be included. Look at the delivery slip which options apply.

# 4. Installation

EN



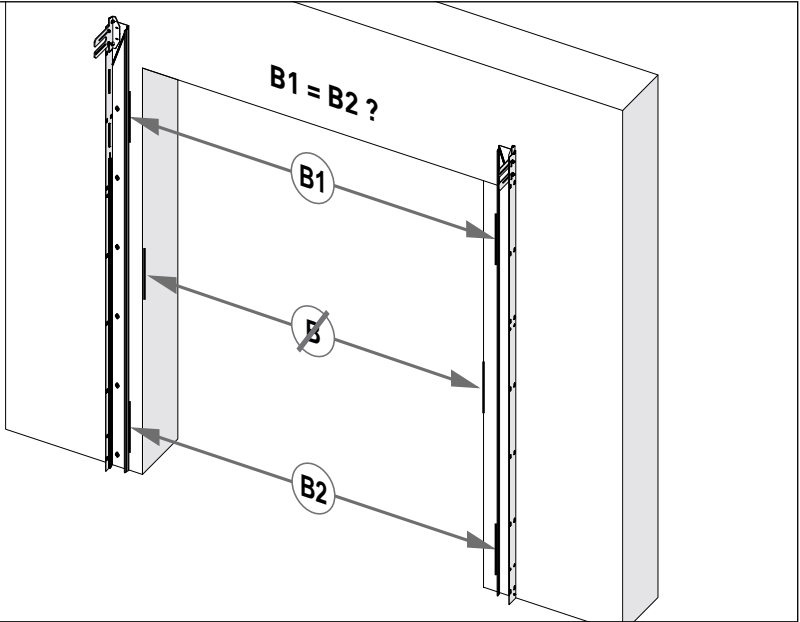
Mount the consoles to the columns.



- Bearing side > tight > with carriage bolt M12x25 and flange nut M12
- Drive side > hand tight > with carriage bolt M12x25 or M12x40 and flange nut M12

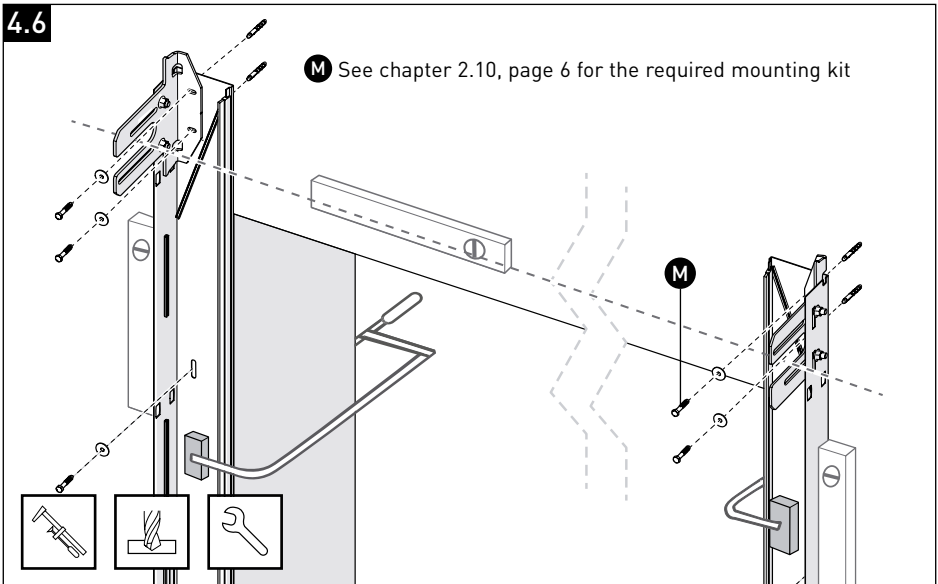
Take the height difference between  $a1$  and  $a2$  into account!

4.5



**B** inside measurement = clear width on the order form.  
**Note:** this may vary from the actual clear width of the building!  
 Check the inside measurement (**B1** and **B2**) between the wall guides.  
 This must be the same at each height.

4.6

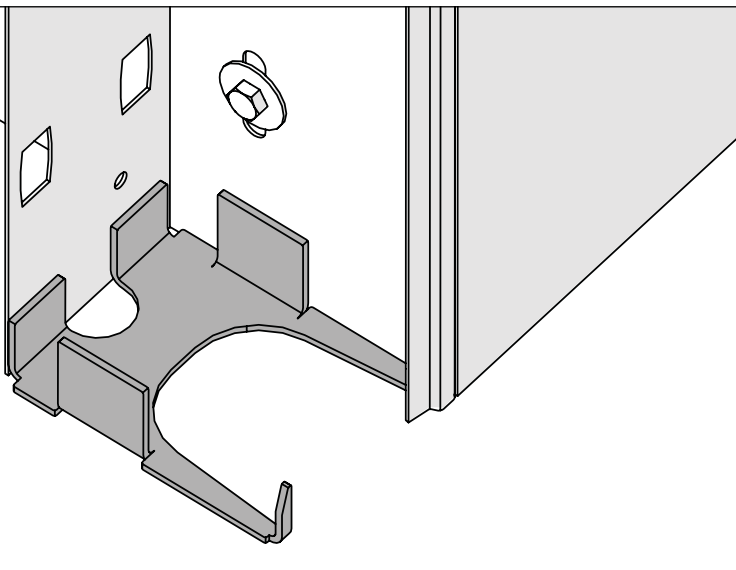


**M** See chapter 2.10, page 6 for the required mounting kit

## 4. Installation

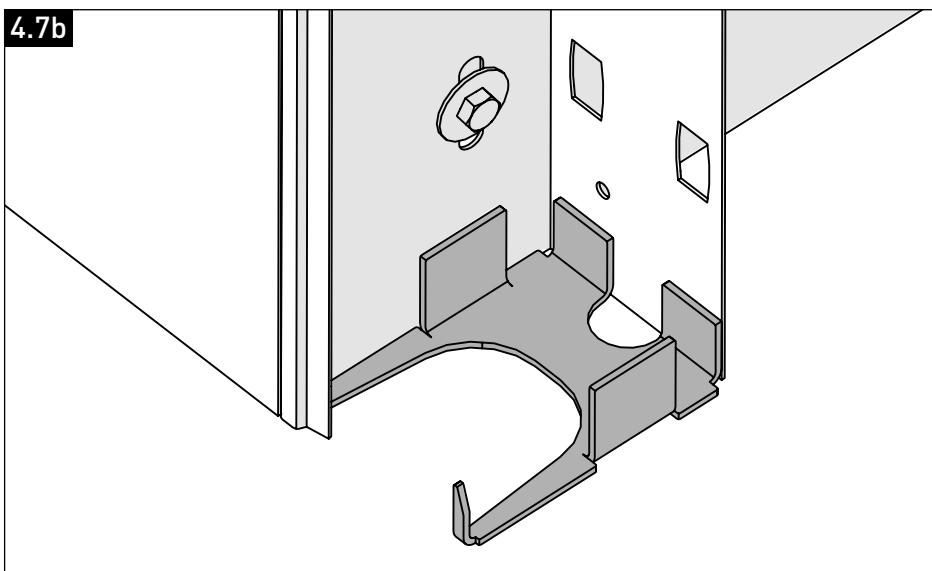
EN

4.7a



Place the base plate in the **left** wall guide as shown.

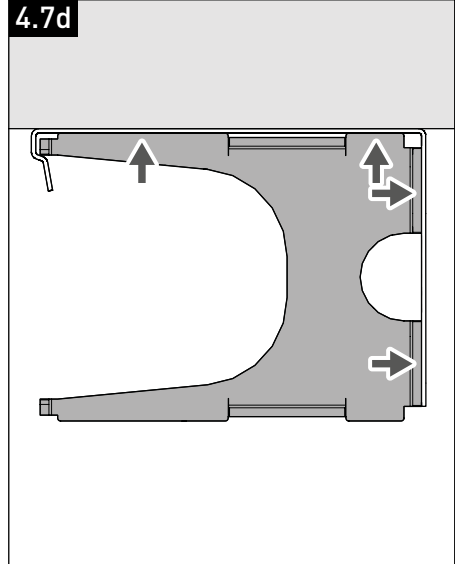
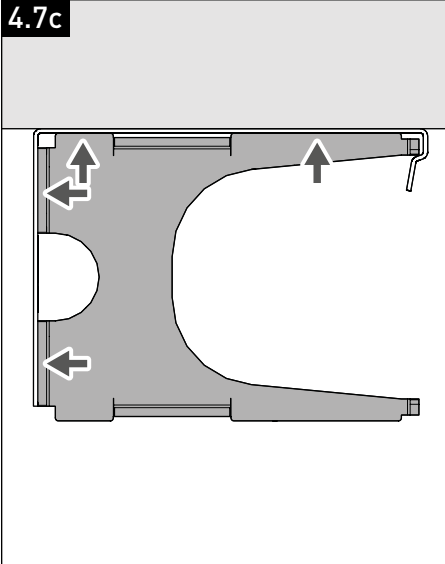
4.7b



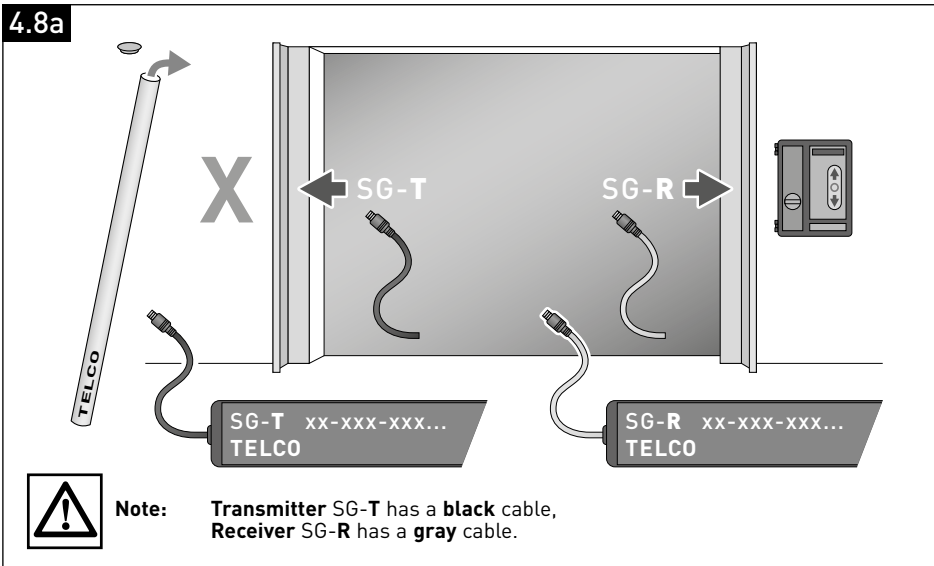
Place the base plate in the **right** wall guide as shown.

## 4. Installation

EN



Make sure that the contact points at both sides of the base plate (see arrows) are flush with the wall

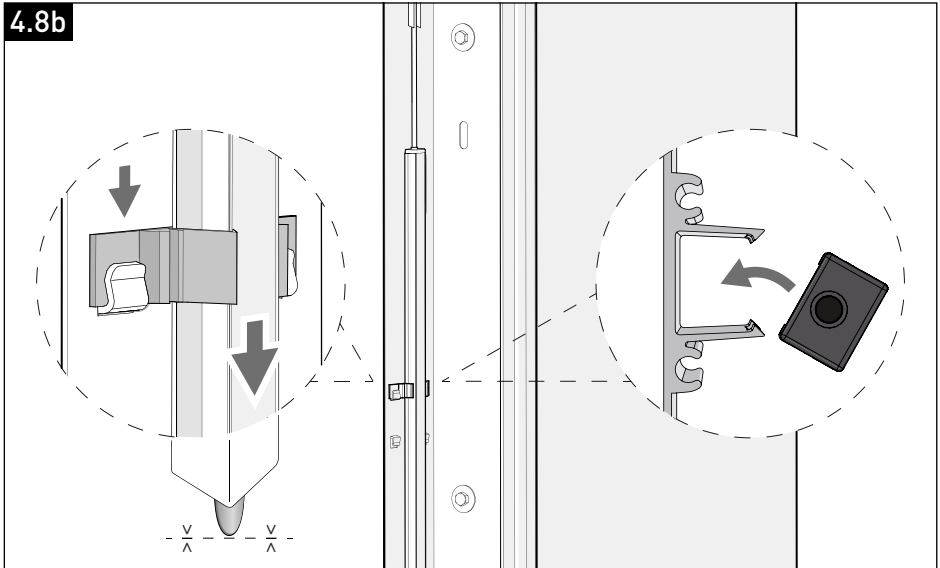


Snap the supplied light curtain to the inside of the columns (see 4.8b).  
Position the **Transmitter** (SG-T) of the light curtain on the wall guide **opposite** the control.  
Position the **Receiver** (SG-R) of the light curtain on the wall guide **where the control is located**.

## 4. Installation

EN

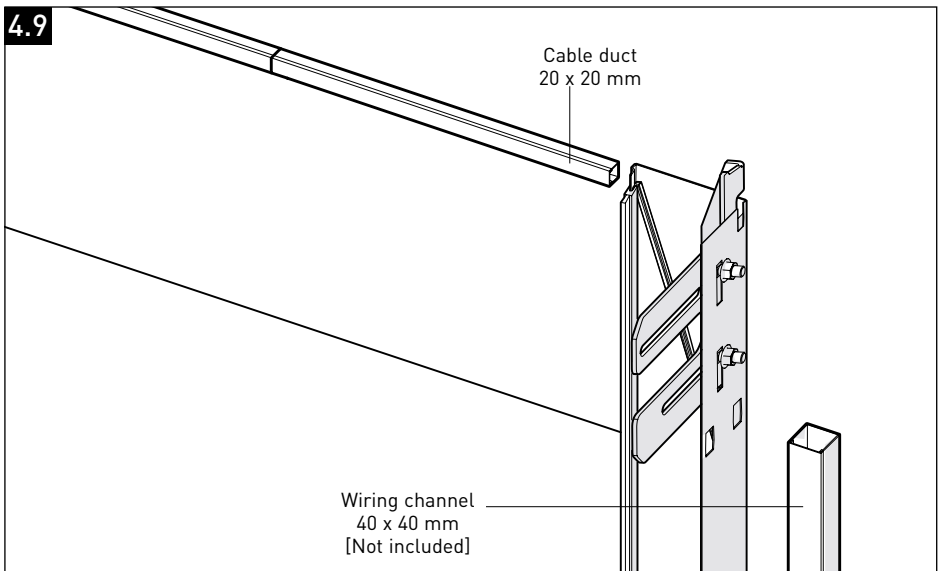
4.8b



Slide the transmitter and receiver side of the light curtain down into the supplied clips until the spacers on the underside of the light curtain are on the floor.

Please make sure that both sides of the light curtain are aligned exactly horizontal relative to each other.

4.9



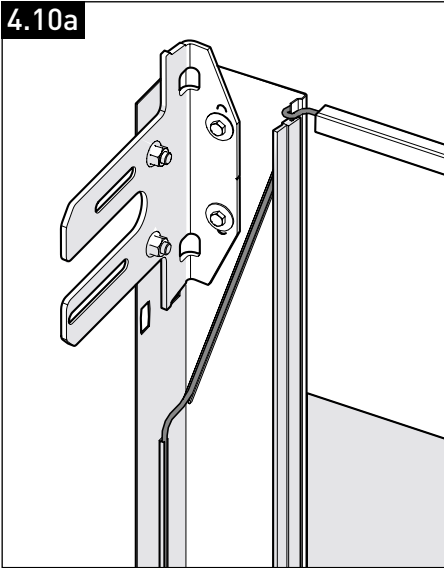
Attach the enclosed 20 x 20 mm cable duct(s) to the wall as indicated. Use the included screws. Ensure proper cable guidance to the control box, see also 4.8 and 4.10.



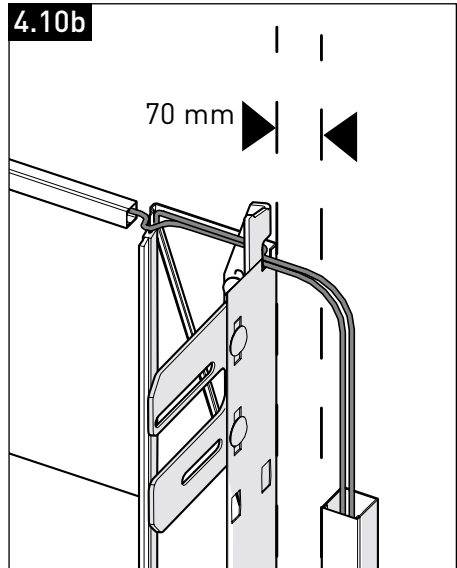
## 4. Installation

EN

4.10a



4.10b



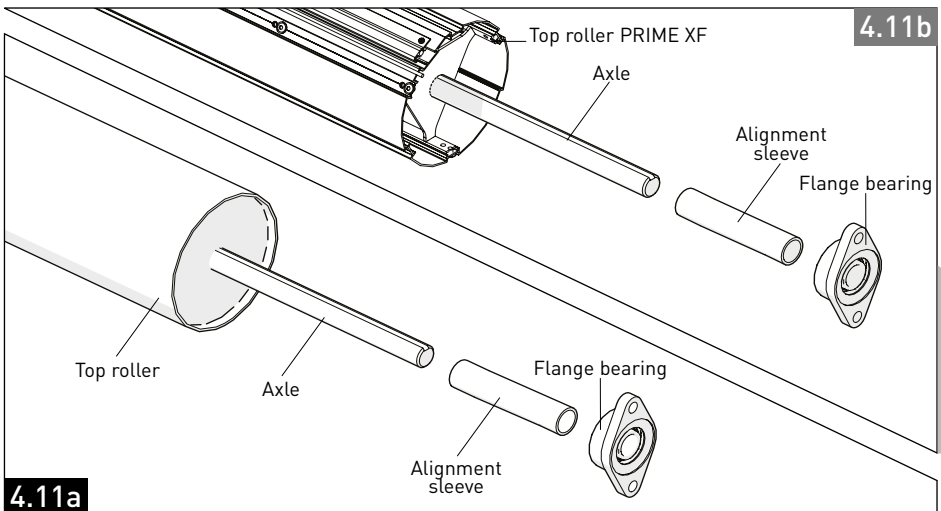
Feed the cables of the light curtain through the cable ducts and the wiring channel to the control box. Let the wiring harness protrude 70 mm on the drive side, so that there is enough space to mount reinforcement brackets.



**Note:** SG-T transmitter receives the **black** cable supplied, the SG-R receiver receives the **gray** cable supplied.

**Black** cable on **black** lightcurtain cable, **gray** cable on **gray** light curtain cable.

4.11b



4.11a



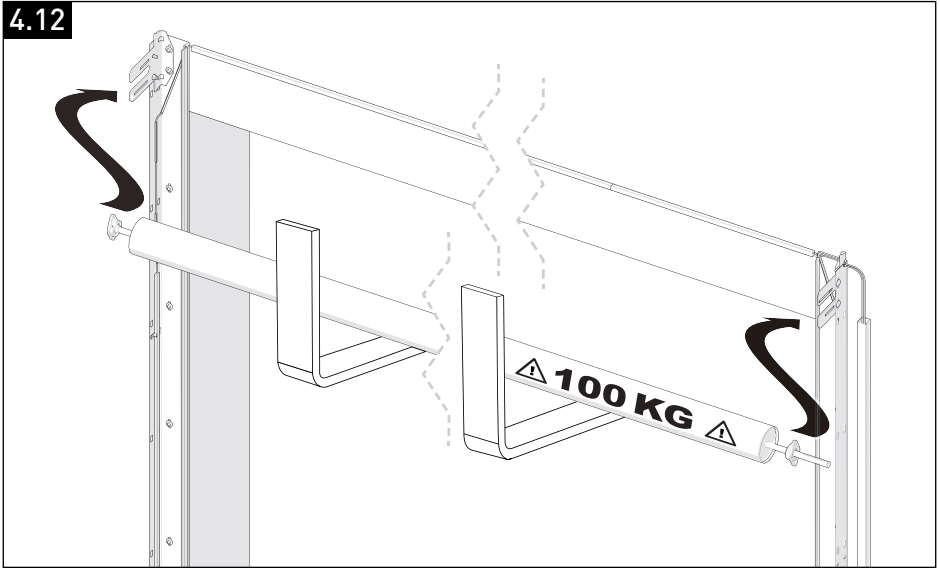
Place the alignment sleeves and flange bearings on the axle **on both sides** of the top roller.

PRIME XF

## 4. Installation

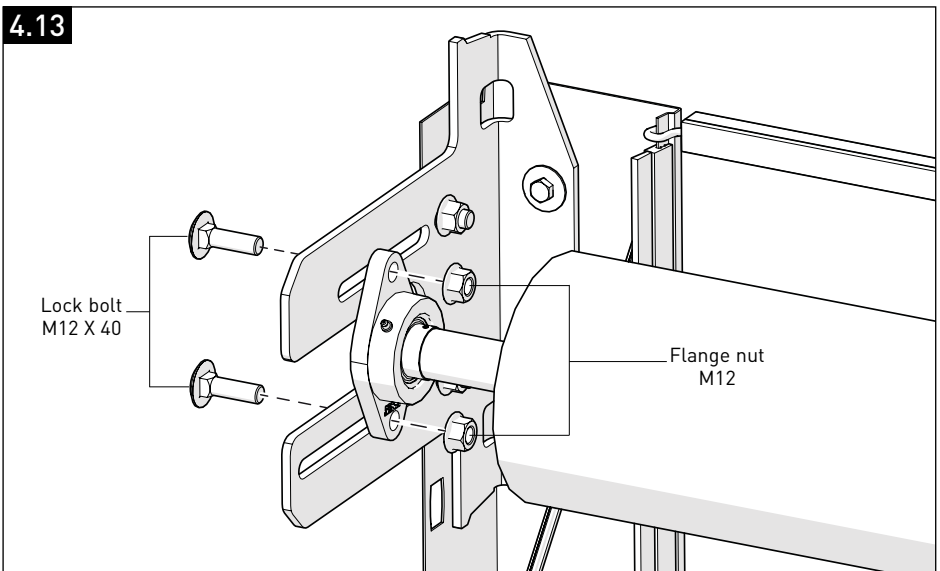
EN

4.12



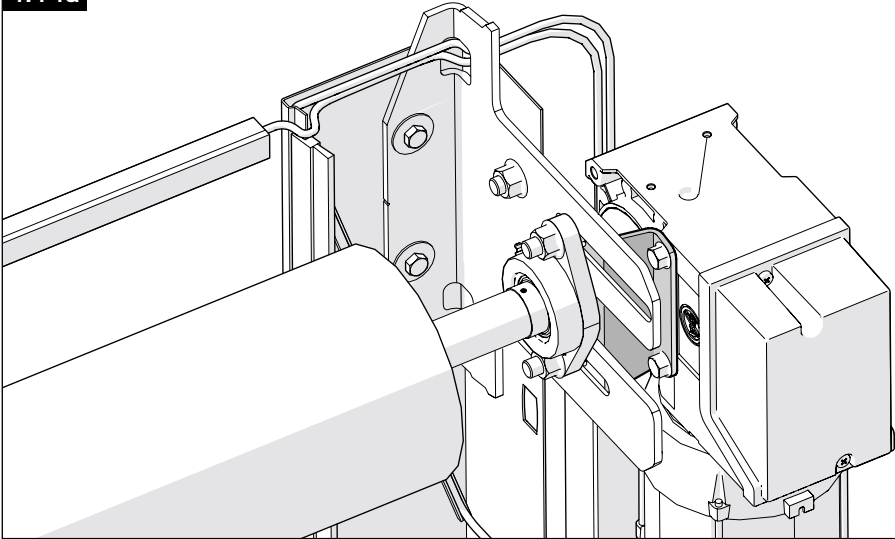
Lift the top roller upwards using a forklift truck and slide the axles in the consoles. Make sure that the alignment sleeves and flange bearings are placed on the inside of the consoles.

4.13



Attach the flange bearings with the included locking bolts and self-locking nuts. Make sure that the top roller is level.

4.14a



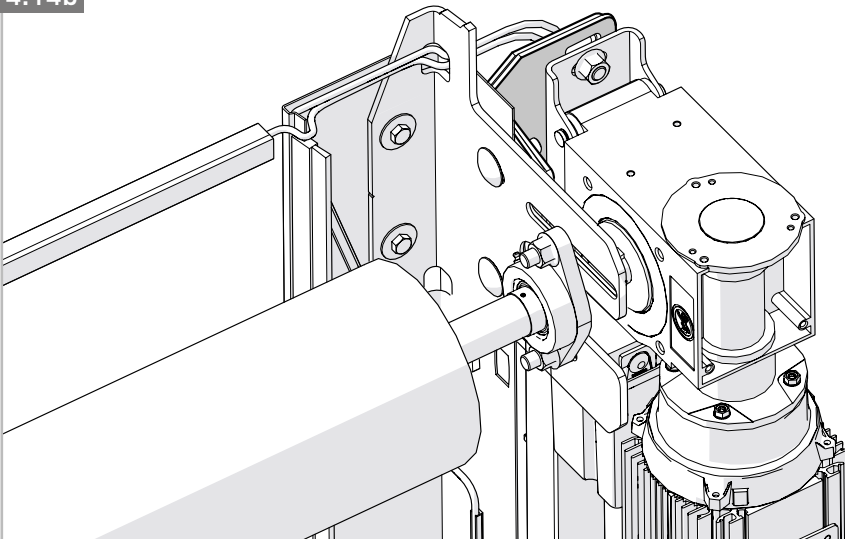
[SG50]



Look at the order form for the number of motor mounts that apply.

- **SG50 (4.14a)** has **1** motor mount
- **SG63/SG85 (4.14b)** have **2** motor mounts.

4.14b



[SG63/SG85]



Look at the order form for the number of motor mounts that apply.

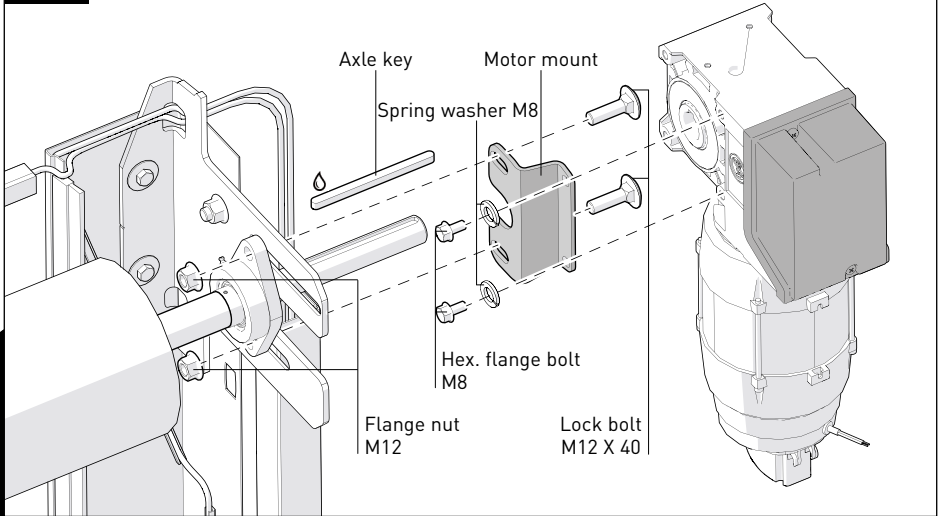
- **SG50 (4.14a)** has **1** motor mount
- **SG63/SG85 (4.14b)** have **2** motor mounts. See 4.15 for installation of motormount(s)

# 4. Installation

EN

## 4.15a

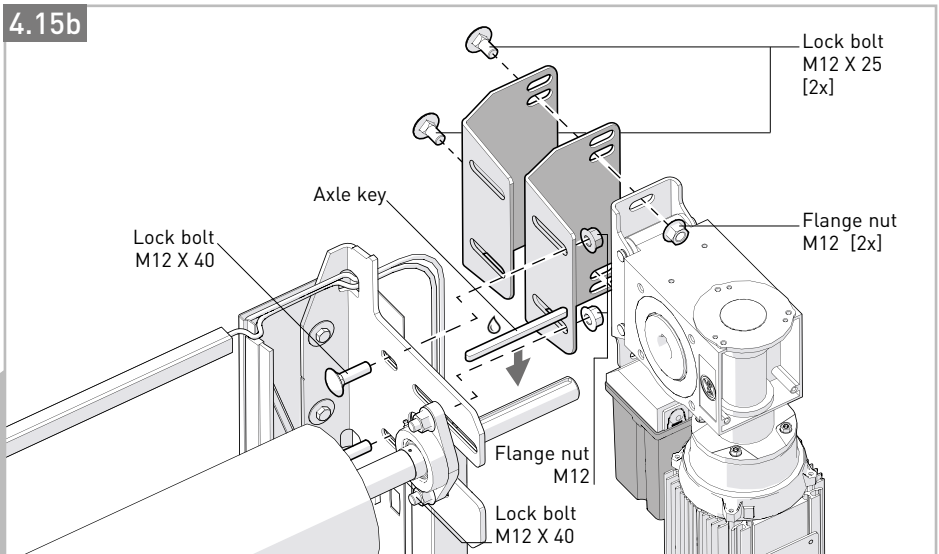
[SG50]



Slide the key in the axle keyway. Attach the motor mount to the console and to the flange bearing. **Then** attach the drive to the motor mount. Use M12 lock bolts and flange nuts. Add grease to slide the drive over the axle more easily.

## 4.15b

[SG63/SG85]

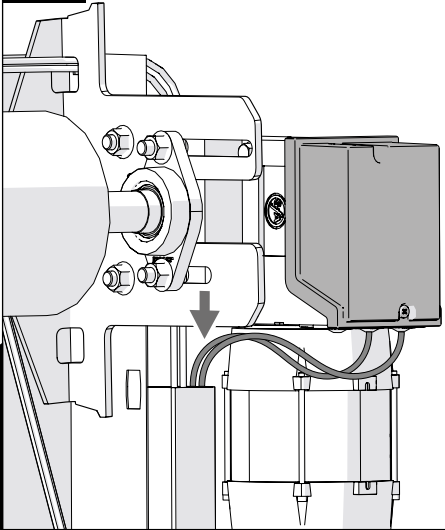


Slide the key in the axle keyway. Attach the motor mount(s) to the console and to the column. **Then** attach the drive to the motor mount(s). Use M12 lock bolts and flange nuts. Add grease to slide the drive over the axle more easily.

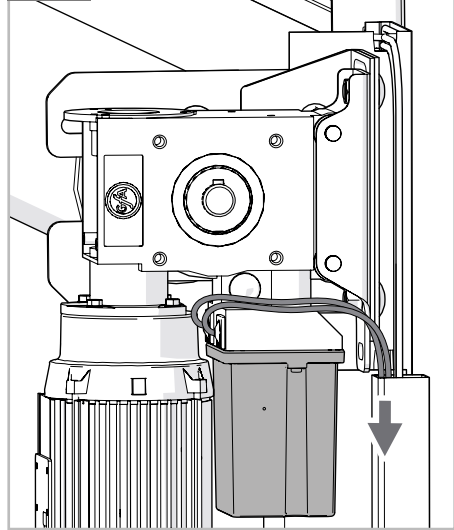
## 4. Installation

EN

4.16a



4.16b



(SG50)

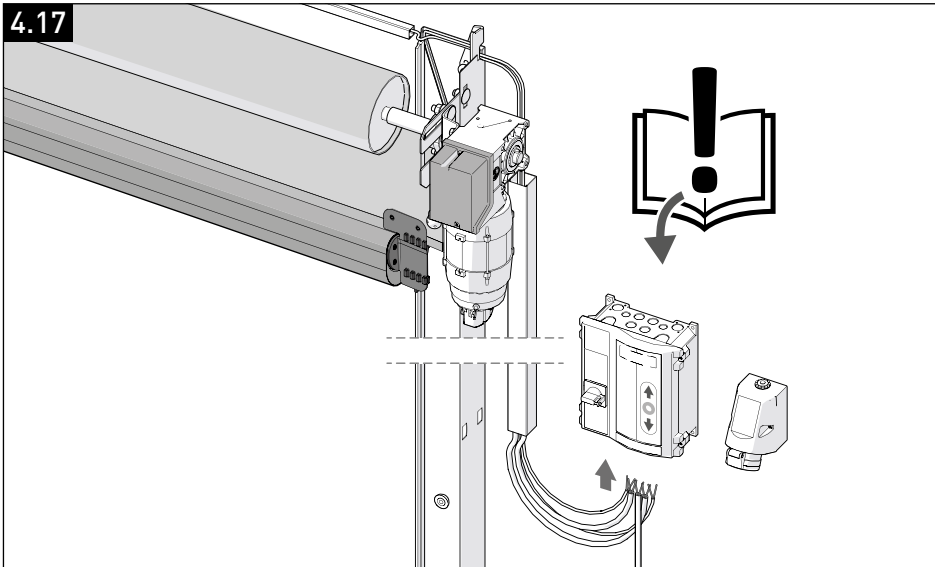
(SG63/SG85)



Feed the drive cables down into the vertical wiring channel towards the control box.

**Please pay attention! Cut cables to the correct length, do not roll them up!**

4.17



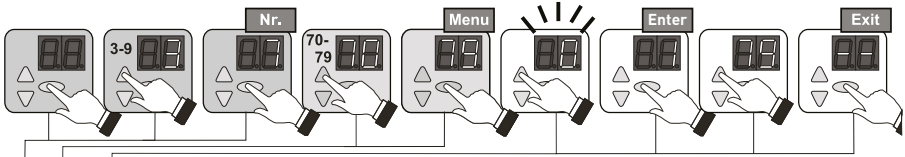
For installation of the operating system, refer to the manual supplied with the control box (4.18a - 4.18c = PRIME XF). For connecting the **light curtain** see wiring diagram 4.19 on the next page.

## 4. Installation

EN

4.18a

### Programming Overview SR PRIME XF (Tormatic)



Nr.	Menu-point	Enter	Selection
FU- settings	79		<b>Operator selection</b>
		0*	No motor selected
		5	SE 6.115
		18	SI 8.180
△	--	○	Exit menu

#### Recommended adjustments SR PRIME XF

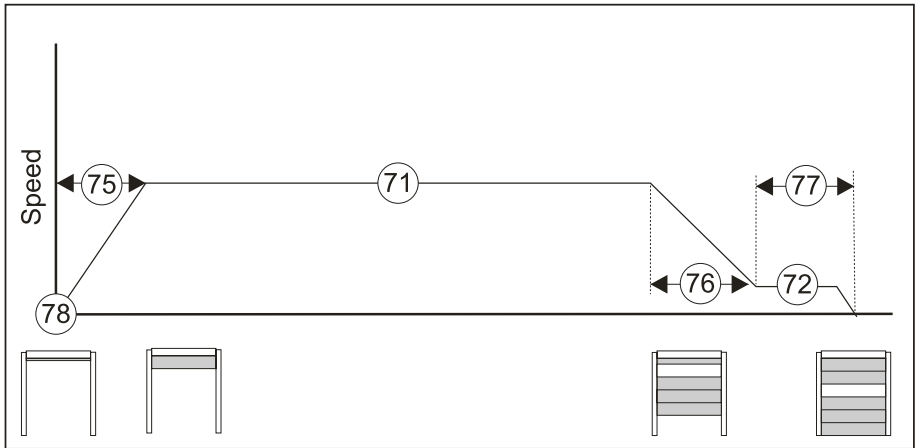
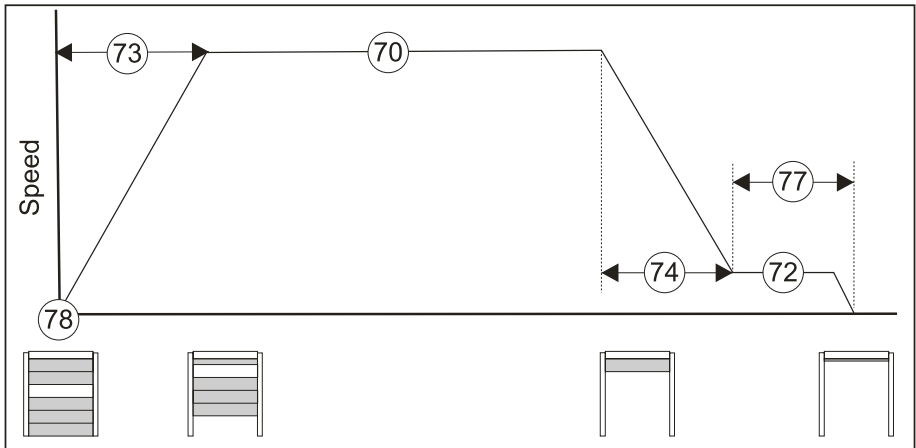
		SE 6.115	SI 8.180
Menu 70	<b>Open speed</b>	99	99
Menu 71	<b>Close speed</b>	25	25
Menu 72	<b>Soft run</b>	7	7
Menu 73	<b>Acceleration time open</b>	3	3
Menu 74	<b>Braking time open</b>	8	8
Menu 75	<b>Acceleration time close</b>	4	4
Menu 76	<b>Braking time close</b>	5	5
Menu 77	<b>Soft run distance</b>	0-9	0-9
Menu 78	<b>Motor brake</b>	1	1
Menu 79	<b>Drive select</b>	5	18

**Always check door after adjusting it's settings.**

PRIME XF

4.18b

Programming Overview SR PRIME XF (Tormatic)



# 4. Installation

EN

4.18c

## Programming Overview SR PRIME XF (GFA)

DU/FI settings					
41		<b>OPEN output speed</b>		<b>8.0</b>	
				Output speed in rpm	
42		<b>CLOSE output speed</b>		<b>5.0</b>	
				Output speed in rpm	
43		<b>Increased CLOSE output speed</b> To opening height of 2.5 m			
				Output speed in rpm 0 = Off	
44		<b>Changeover position to CLOSE output speed</b> (observe minimum opening height of 2.5 m!)			
		OPEN/CLOSE door movement			
45		<b>OPEN acceleration</b>		<b>.5</b>	
				DU FI Steps of 1.0 seconds Steps of 0.1 seconds	
46		<b>CLOSE acceleration</b>		<b>1.5</b>	
				DU FI Steps of 1.0 seconds Steps of 0.1 seconds	
47		<b>OPEN deceleration</b>		<b>.5</b>	
				DU FI Steps of 1.0 seconds Steps of 0.1 seconds	
48		<b>CLOSE deceleration</b>		<b>1.5</b>	
				DU FI Steps of 1.0 seconds Steps of 0.1 seconds	
49		<b>OPEN/CLOSE crawling speed</b>		<b>3.0</b>	
				Output speed in rpm	

PRIME XF



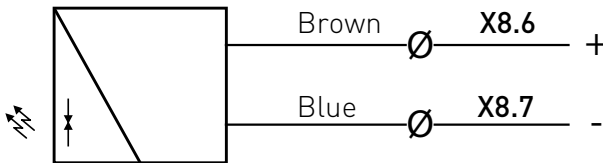
4.19

Wiring diagram Telco Light curtain

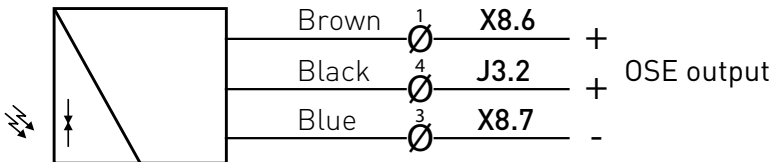
Connections:      Power supply +                      Brown  
                          Power supply -                      Blue  
                          SGR OSE output                      Black

Refer to the manual of the controller to find the correct parameter settings.

T100 R

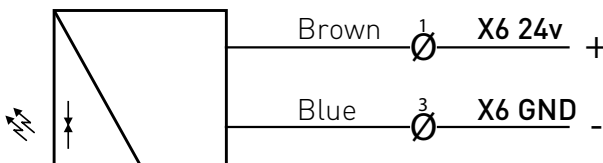


SGT 15 OSE (Black wire)

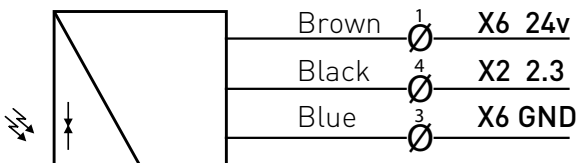


SGR 15 OSE (Gray wire)

TS971



SGT 15 OSE (Black wire)

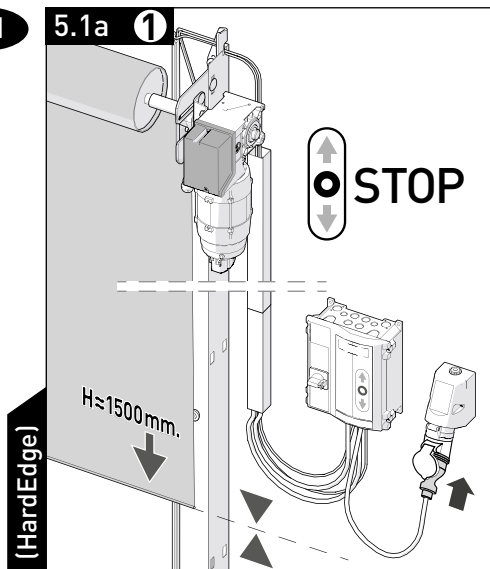


SGR 15 OSE (Gray wire)

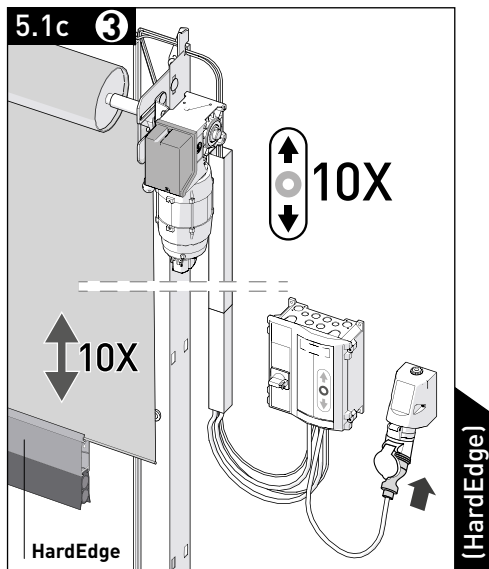
## 5. Installation HardEdge

HardEdge

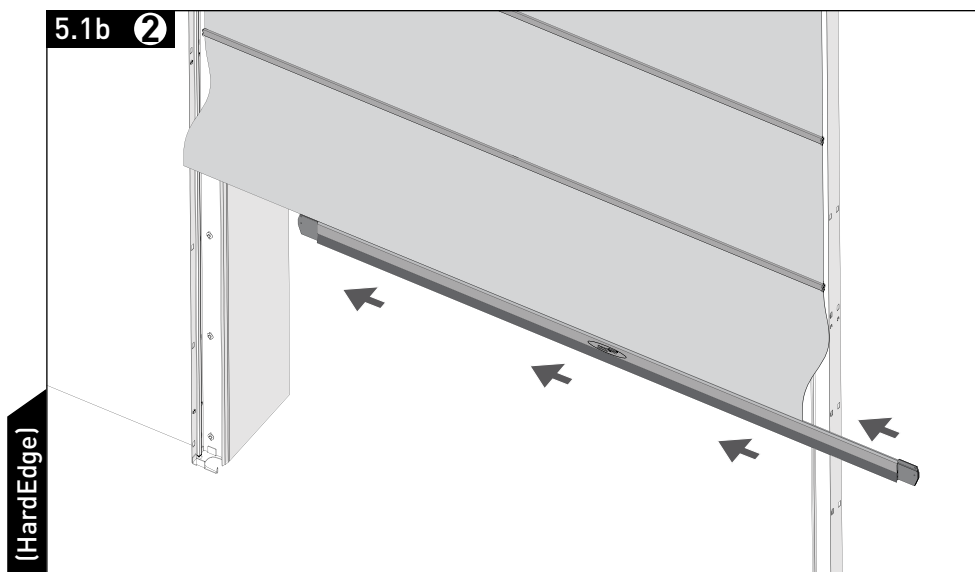
EN



1. Roll the door supplied with a separate **HardEdge** bottombeam down to 1500mm height and press **STOP**.

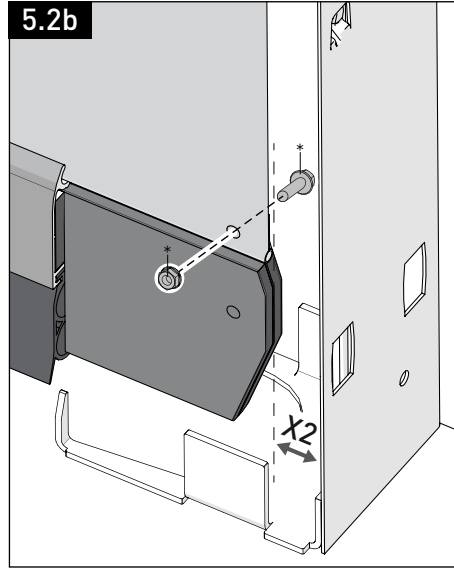
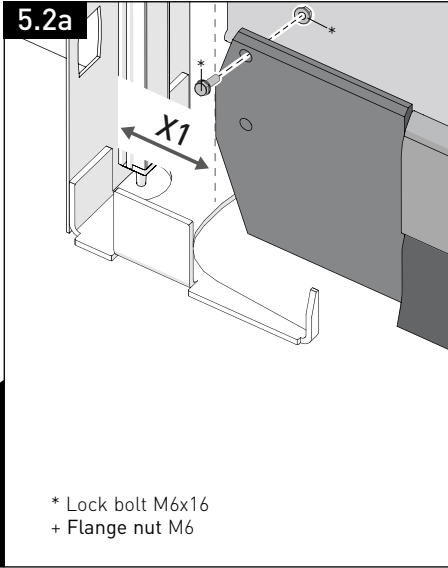


3. Let the door with the **HardEdge** bottombeam installed go up and down **10X** and check the alignment of the curtain.



2. Slide the **HardEdge** bottombeam over the curtain tendon (bottom) of the door curtain. Make sure the **bottombeam** is neatly centered on the curtain.

# 5. Installation HardEdge

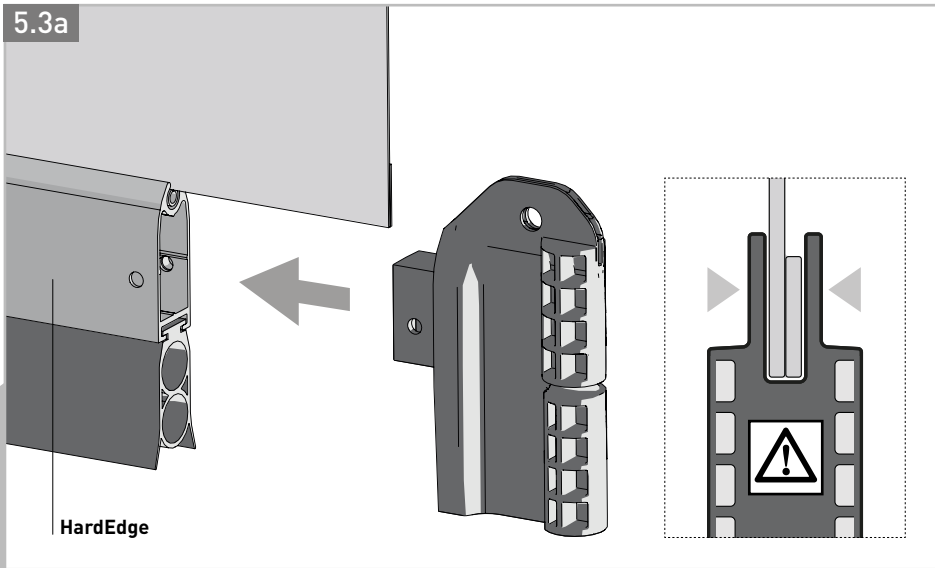


\* Lock bolt M6x16  
+ Flange nut M6



Center the **Strong HardEdge** bottom beam: **X1 = X2!**

Secure the bottombeam on both sides with the supplied M6 lock bolts and flange nuts.



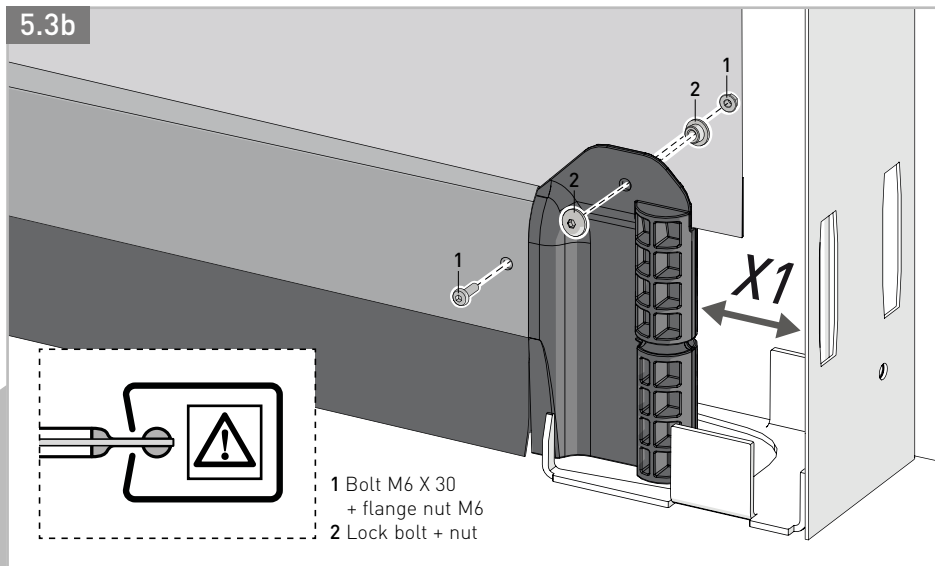
Slide the missing end piece into the **Prime HardEdge** bottom bar.

**Attention!** The door curtain must be slid into the slot of the end piece!

EN

5.3b

(PRIME)



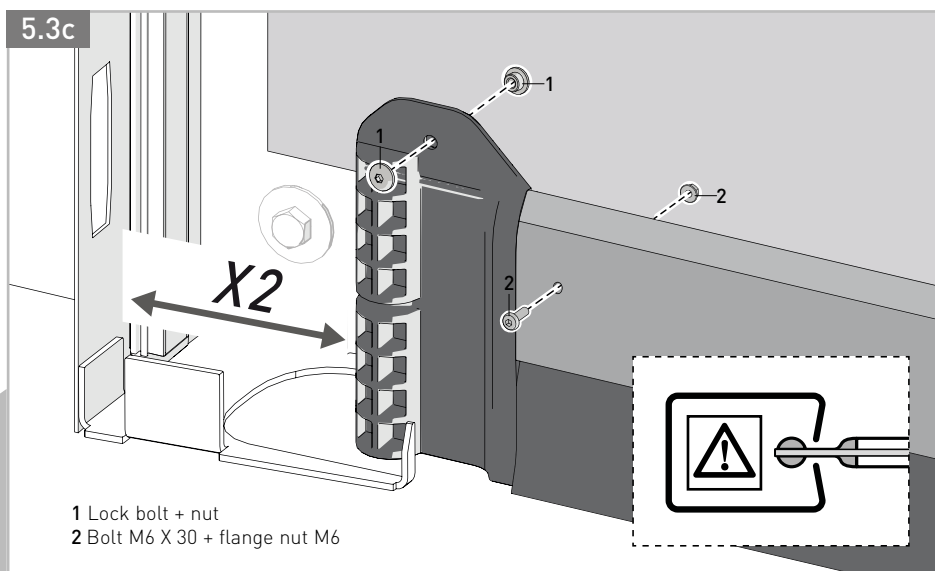
Center the **Prime HardEdge** bottom beam, see also 5.3c: **X1 = X2!**

See detail drawing: Make sure that the plastic end pieces fall neatly inside the column. Attach the end pieces to the bottom beam with the supplied M6 bolts and nuts



5.3c

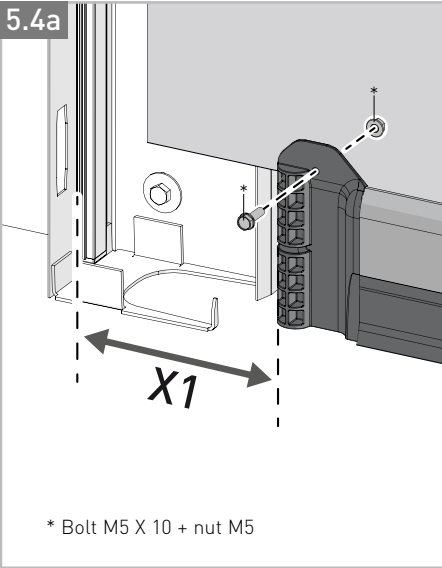
(PRIME)



If the bottom beam is neatly centered, attach the bottom beam end pieces on both sides of the door curtain with the supplied lock bolts and nuts.

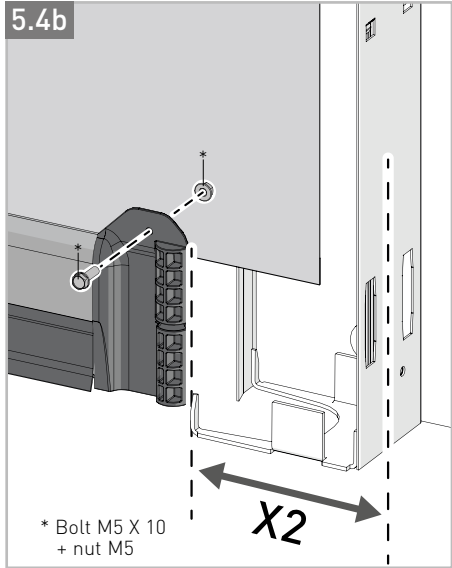


5.4a



\* Bolt M5 X 10 + nut M5

5.4b



\* Bolt M5 X 10 + nut M5

[EasyRepair]

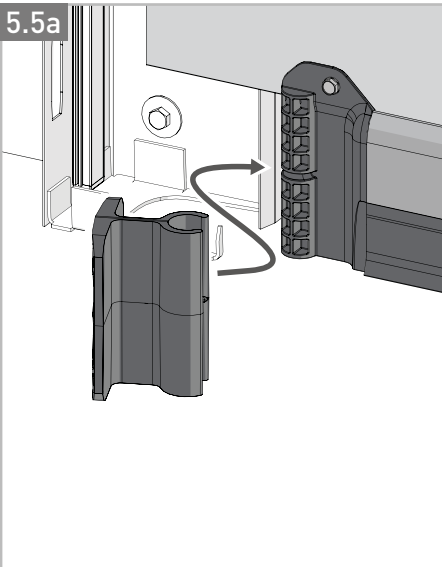
[EasyRepair]



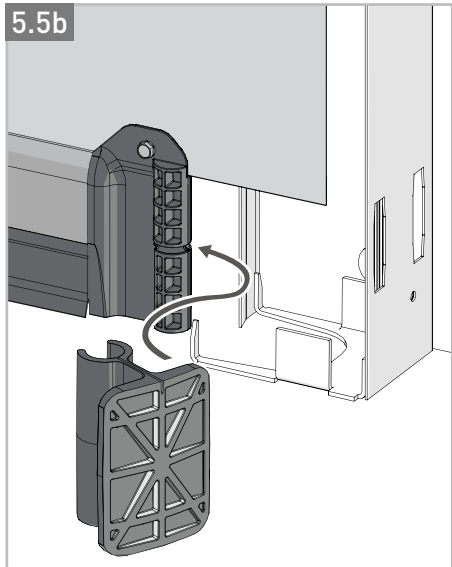
Center the bottom beam: **X1 = X2!**

Secure the bottombeam on both sides with the supplied M5 bolts + nuts.

5.5a



5.5b



[EasyRepair]

[EasyRepair]



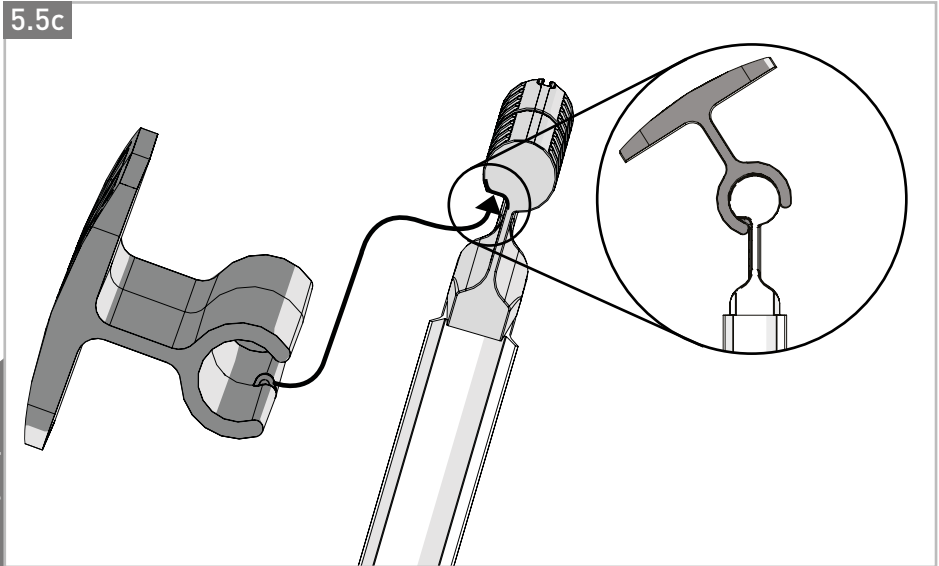
Click the EasyRepair anchors on the EasyRepair endpieces.

See **5.5c** and **5.5d**

EN

5.5c

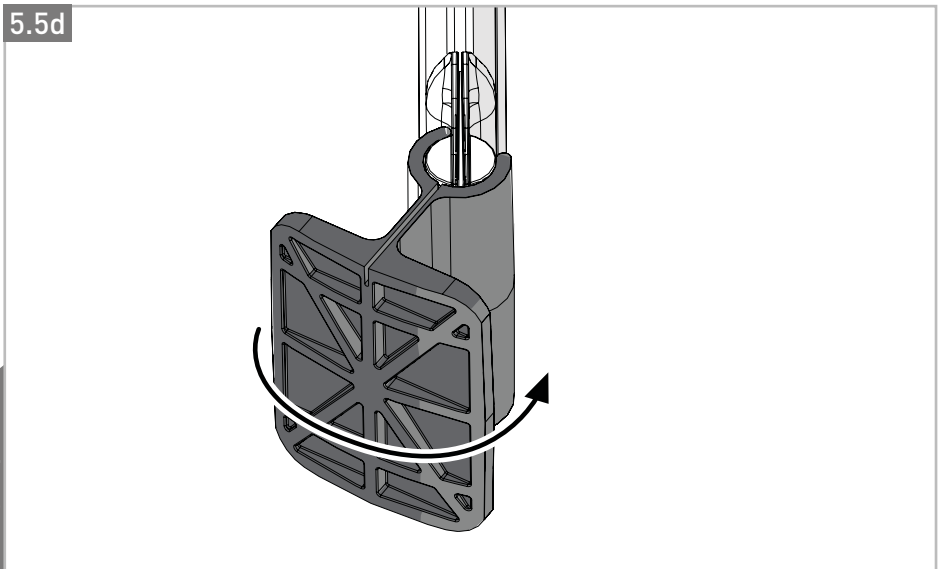
(EasyRepair)



Slide the EasyRepair anchors from the bottom up through the indicated slot.

5.5d

(EasyRepair)

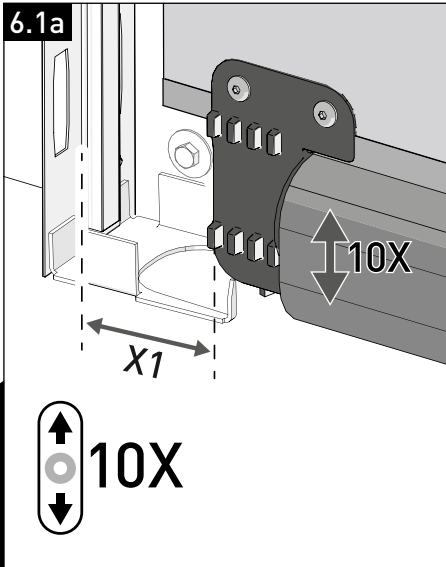


Turn and attach the EasyRepair anchors.

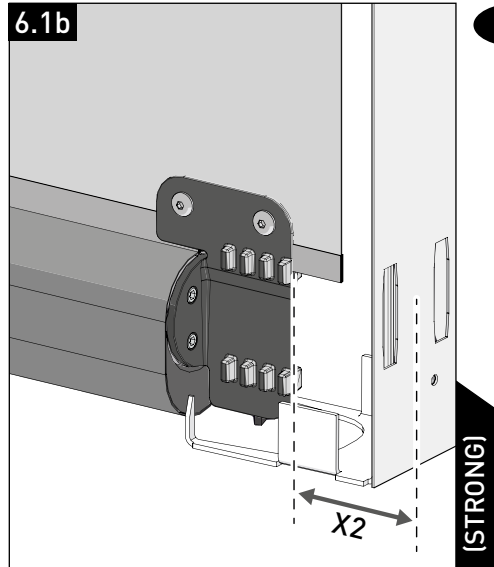
## 6. Installation FlexEdge

FlexEdge

6.1a



6.1b



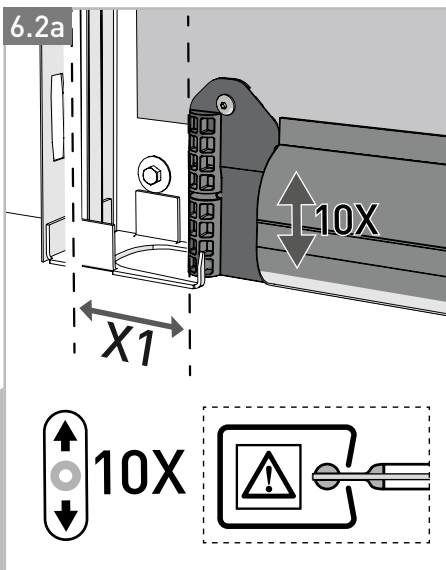
EN



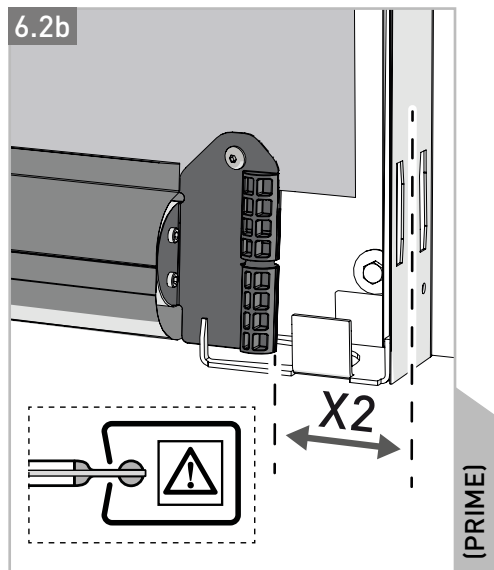
Let the door supplied with **FlexEdge bottombeam** go up and down 10X, then check the alignment of the door curtain.

Center the **FlexEdge** bottom beam: **X1 = X2!**

6.2a



6.2b

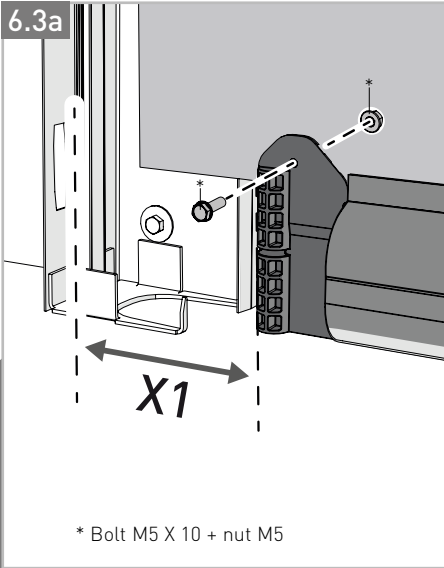


Let the door supplied with **FlexEdge bottombeam** go up and down 10X, then check the alignment of the door curtain.

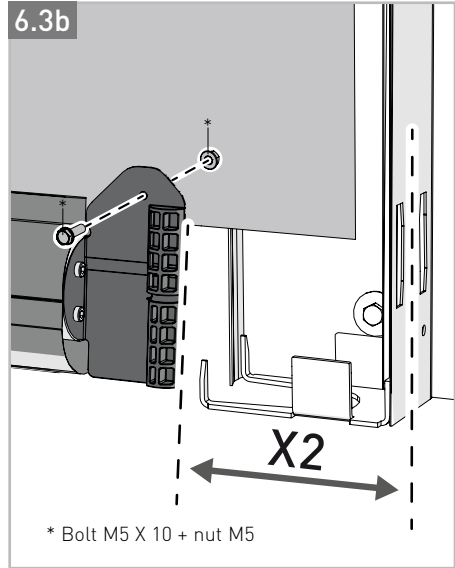
Center the **FlexEdge** bottom beam: **X1 = X2!**

EN

6.3a



6.3b



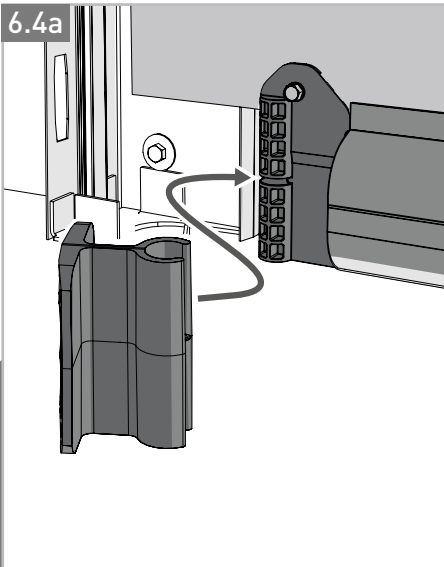
[EasyRepair]

[EasyRepair]

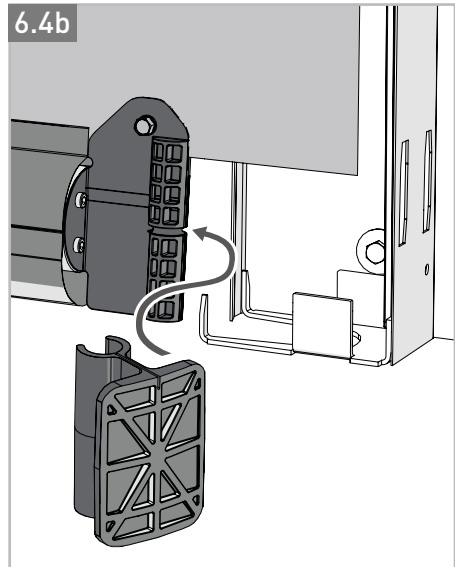


Center the **FlexEdge** bottom beam:  $X1 = X2!$   
Secure the bottom beam with the supplied M5 bolts

6.4a



6.4b



[EasyRepair]

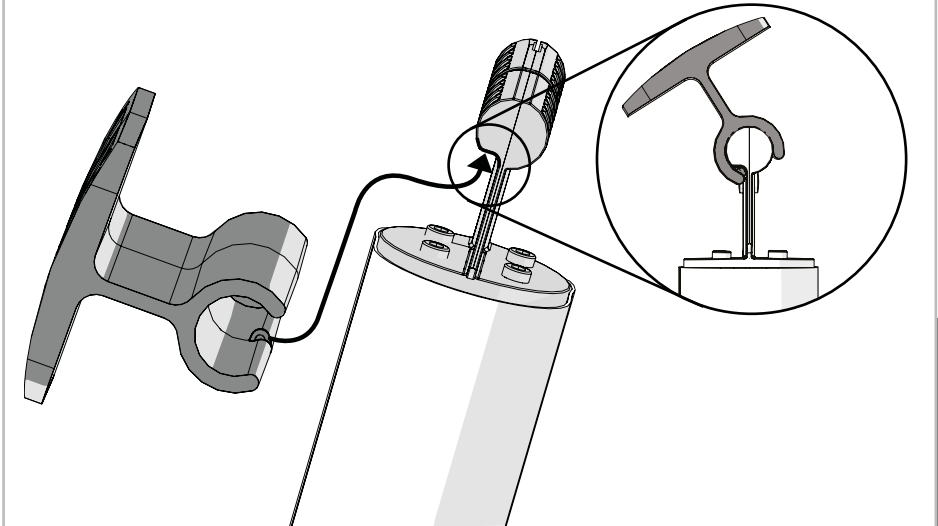
[EasyRepair]



Click the EasyRepair anchors on the EasyRepair endpieces.  
See **6.4c** and **6.4d**



6.4c

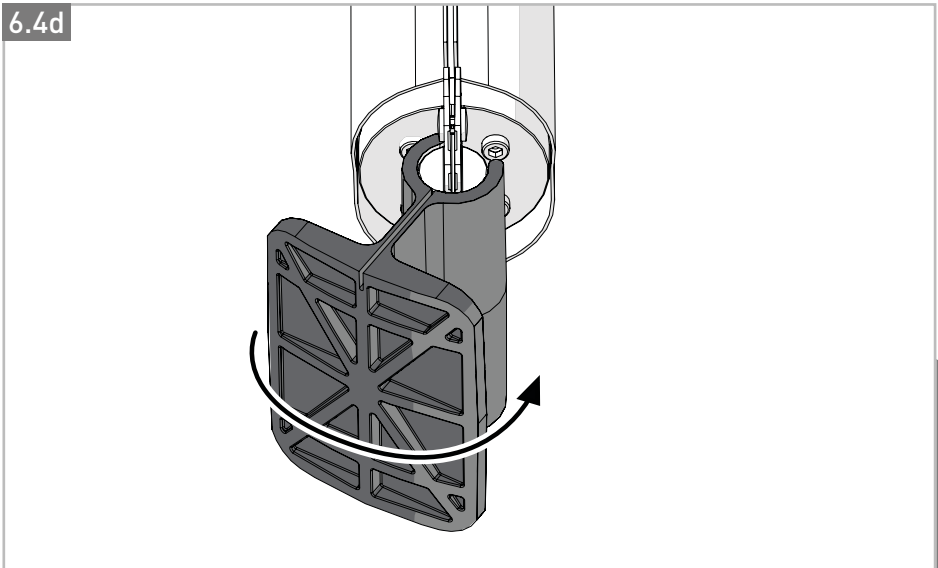


(EasyRepair)



Slide the EasyRepair anchors from the bottom up through the indicated slot.

6.4d



(EasyRepair)



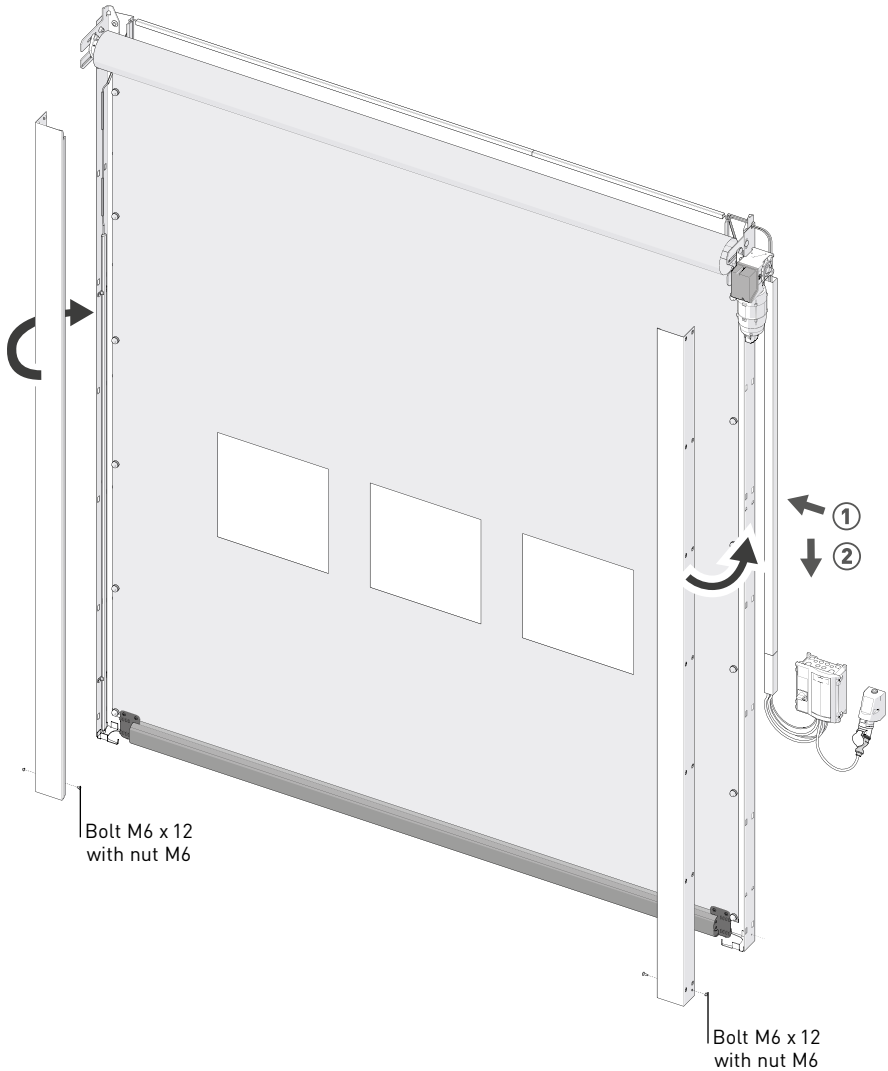
Turn and attach the EasyRepair anchors.

## 7. Finalize installation

EN

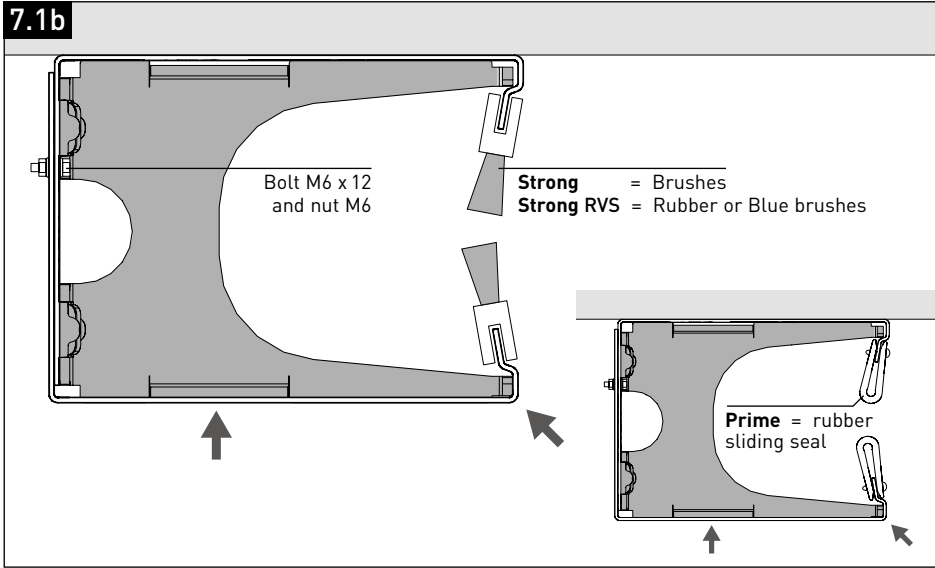
### 7.1a

#### Installing wall guide covers

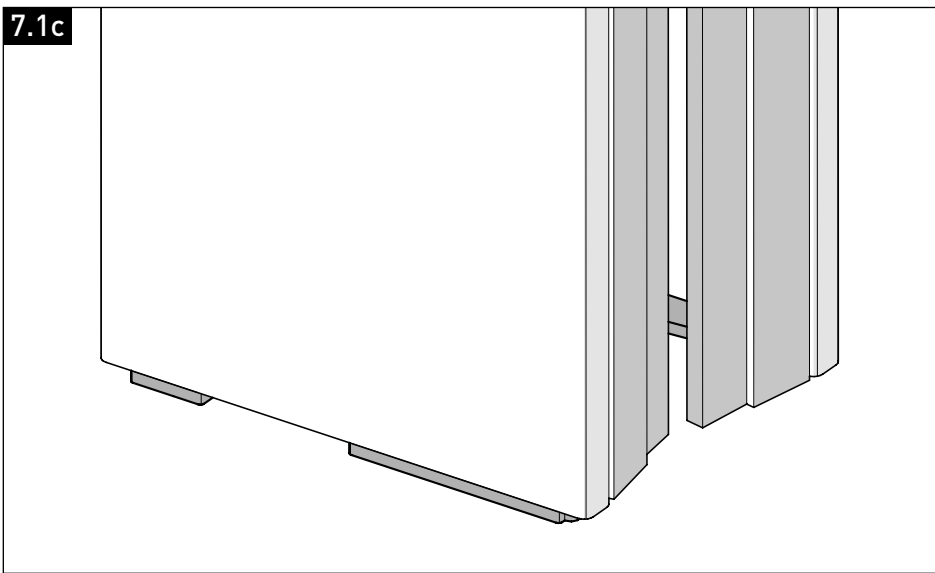


Hook the wall guide covers onto the wall guides and secure them with a M6 x 12 bolt and a nut. Make sure that the covers slide over the upright lips of the footplate and rest on top of it. See fig. 7.1b and 7.1c.

# 7. Finalize installation



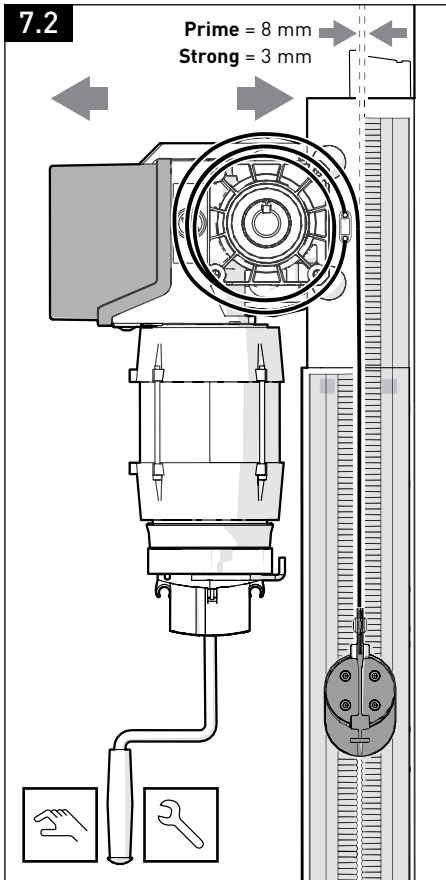
Make sure that the cover fits exactly over the upright lips of the footplate.



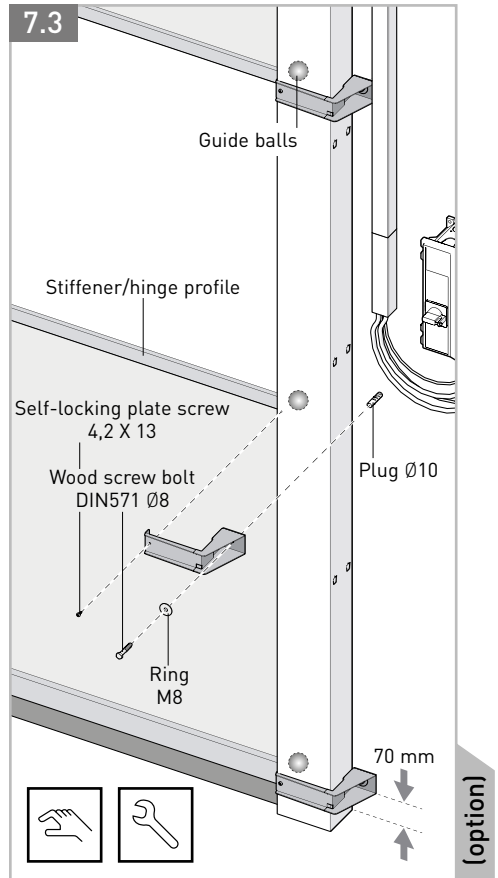
Make sure the cover is resting exactly on the foot plate.

## 7. Finalize installation

EN



Roll up the door leaf all the way. Align the upper roller and drive horizontally, so that the widest part of the upper roller is 3 mm (Strong) or 8 mm (Prime) away from the rear side seal.



If your door is fitted with reinforcement brackets, clamp them around the wall guide columns at the level of the stiffener profiles and at the lower beam. Attach them with the enclosed mounting material.

With a Prime without reinforcement profiles, you can maintain the height of the guide balls to determine the height of the reinforcement brackets. The guide balls are located on the edges of the door leaf, on the inside of the column.



With this the mechanical part of the installation is finished. For the installation of the operating system please see the relevant manual. The operating system can be supplied with a magnetic switch or with a frequency controller. Please make sure you are using the correct manual.



# Copyright



## English

All rights reserved. Nothing in this publication may be reproduced and/or published by means of printing, photocopy, microfilm or any other means without the prior written permission of the supplier. This also applies for the associated drawings and diagrams.

The supplier reserves the right to change components at any time, without prior or direct announcement to the customer. The contents of this publication can also be changed without prior warning.

For information concerning adjustments, maintenance activities or repairs not covered by this publication, you are requested to contact your supplier.

This publication has been prepared with the greatest possible care, but the supplier can accept no responsibility for any errors in this publication or the results thereof.



**NOVOFERM NEDERLAND B.V.**

Tel.: +31 (0)418 654 700

E-Mail: [industrie@novoferm.nl](mailto:industrie@novoferm.nl)

[www.novoferm.nl](http://www.novoferm.nl)



*Intelligent Door Solutions*